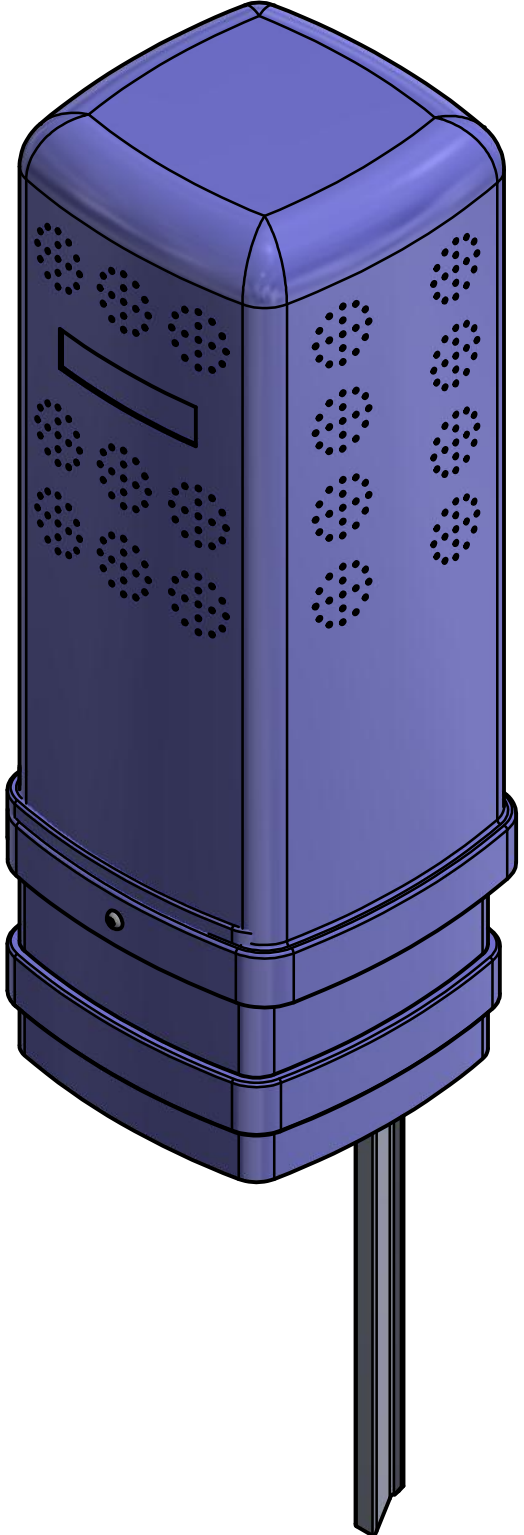
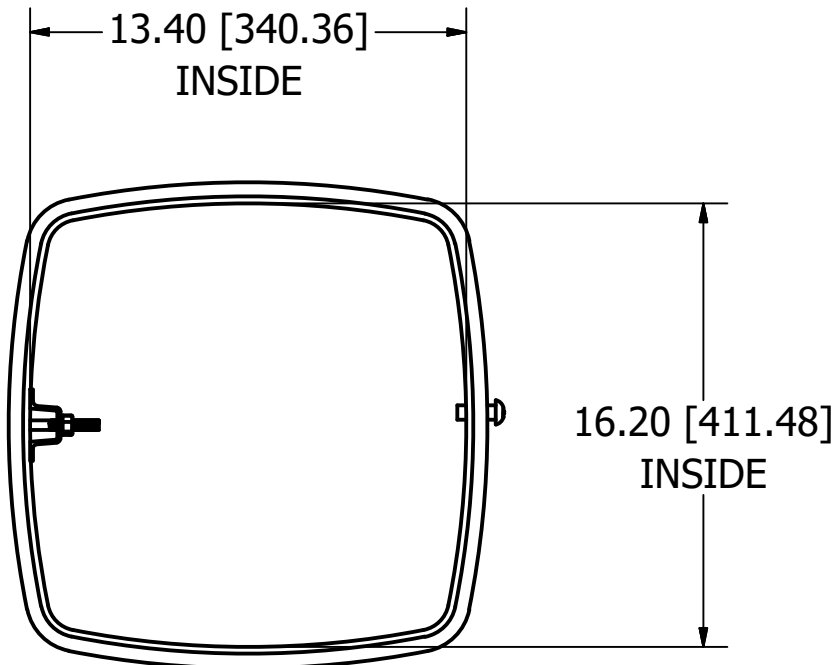
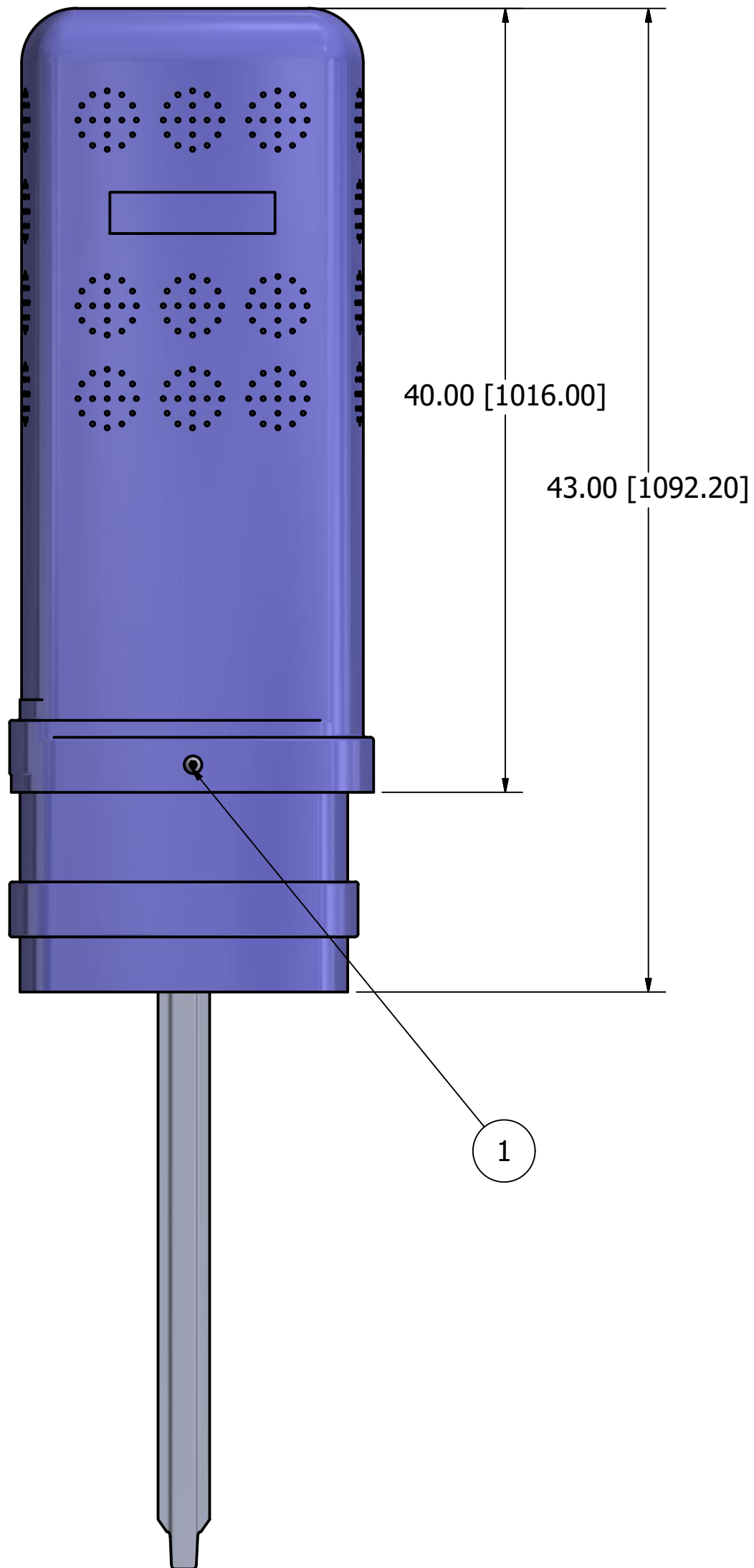
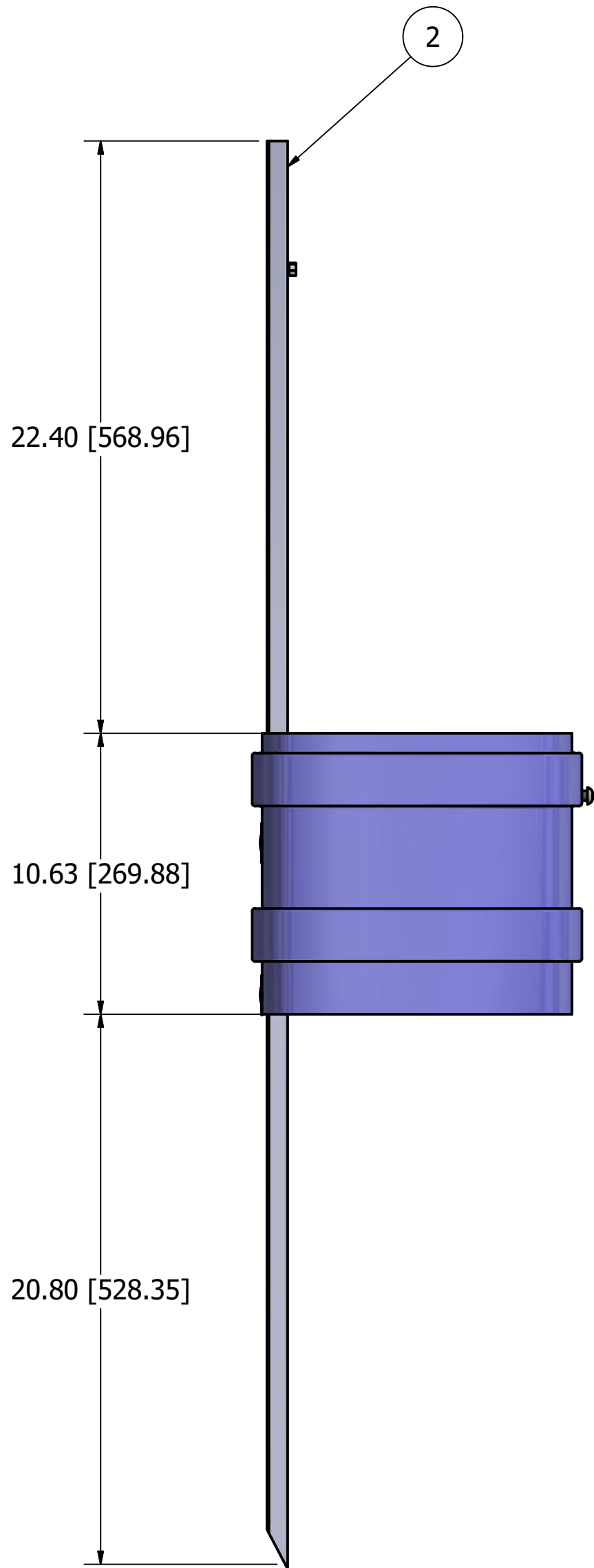


PARTS LIST		
ITEM	DESCRIPTION	QTY
1	PIN ALLEN BOLT LOCK TAMPER PROOF	1
2	GALVANIZED MOUNTING STAKE	1

D  
C  
B  
A

D  
C  
B  
A



- NOTES:
- ENCLOSURE IS MANUFACTURED FROM HIGH DENSITY POLYETHYLENE (HDPE)
  - AVAILABLE COLORS ARE GREEN, BLUE AND PURPLE. ORDER PART NUMBERS 107-G, 107-B AND 107-P.
  - THE UNIT SHOWN HAS VENTS. NO VENTS ARE AVAILABLE BUT MINIMUM QUANTITIES APPLY.

REVISED:	DATE: 4/18/2019
DRAWING DATE: 4/18/2019	
DRAWN BY: MDP	
SHEET: 1 OF 3	
NOTE: DO NOT SCALE DRAWING	
<small>PROPRIETARY AND CONFIDENTIAL: THE INFORMATION CONTAINED IN THIS DRAWING IS THE SOLE PROPERTY OF WATER PLUS CORPORATION. ANY REPRODUCTION IN PART OR AS A WHOLE WITHOUT THE WRITTEN PERMISSION OF WATER PLUS CORPORATION IS STRICTLY PROHIBITED.</small>	

**WATER PLUS**  
CORPERATION

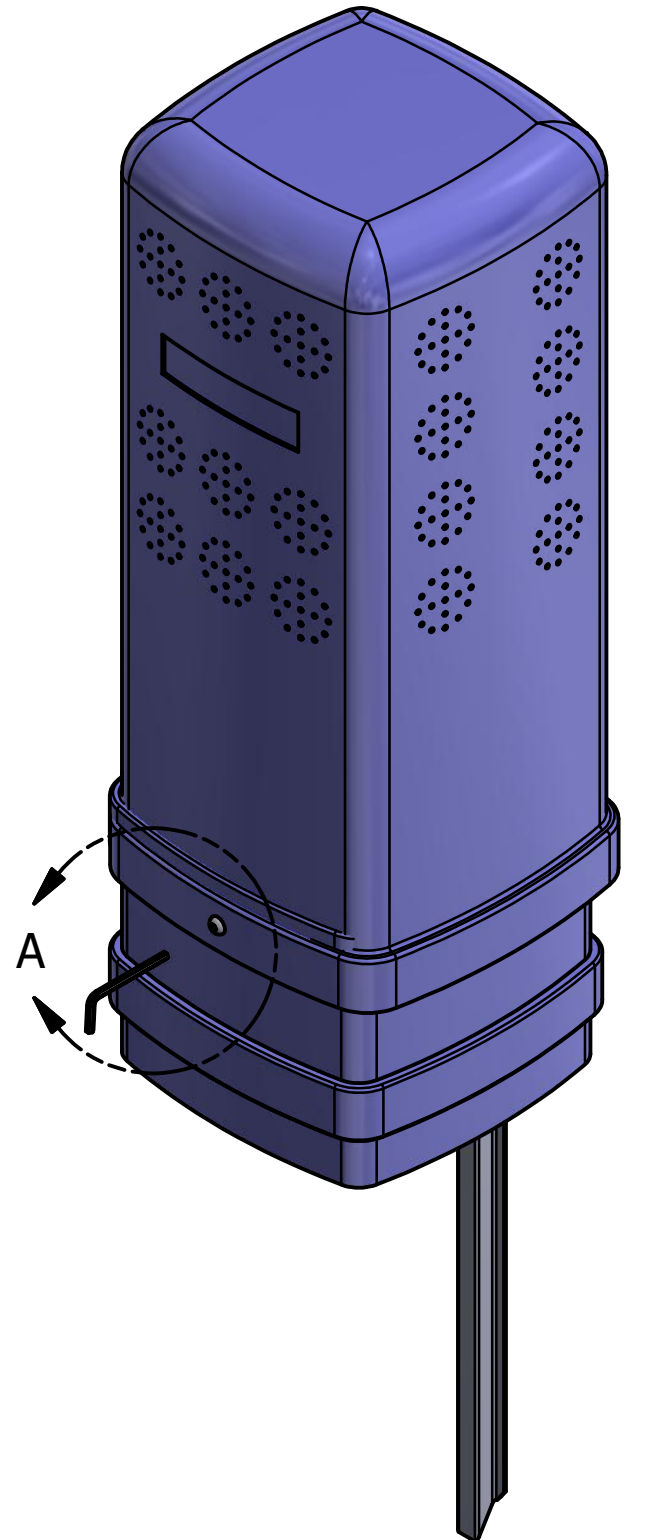
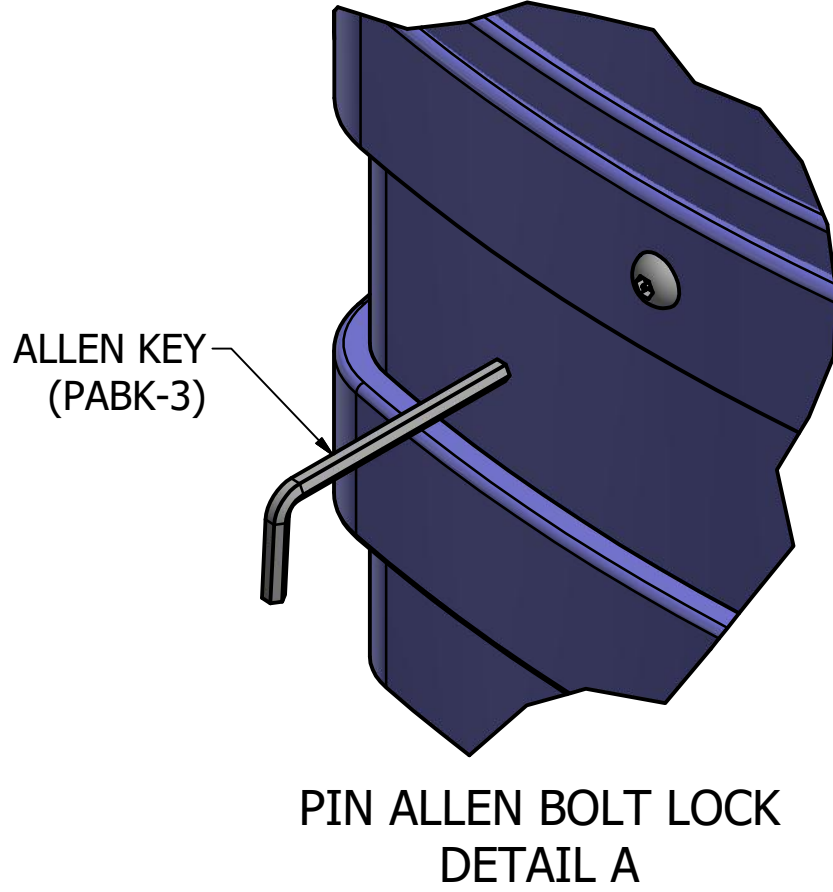
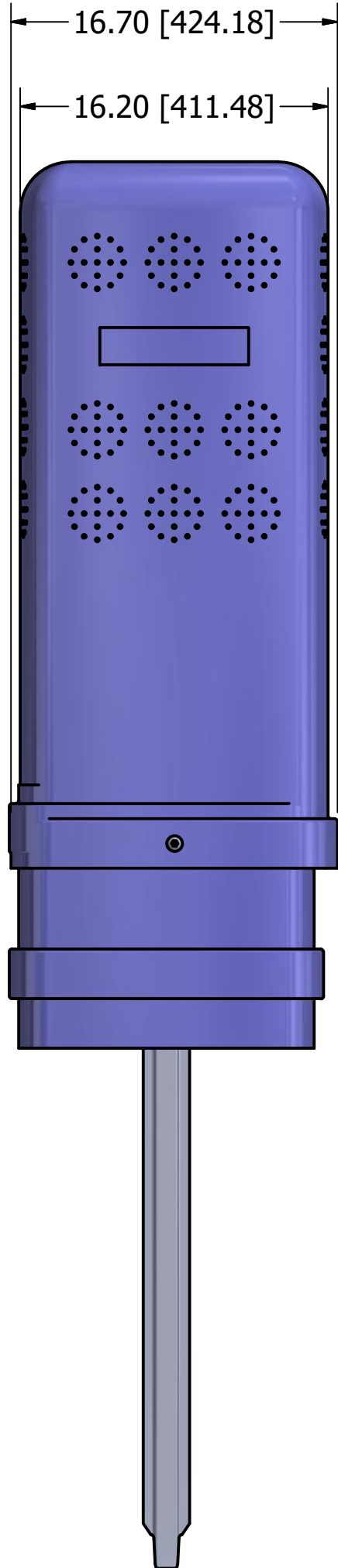
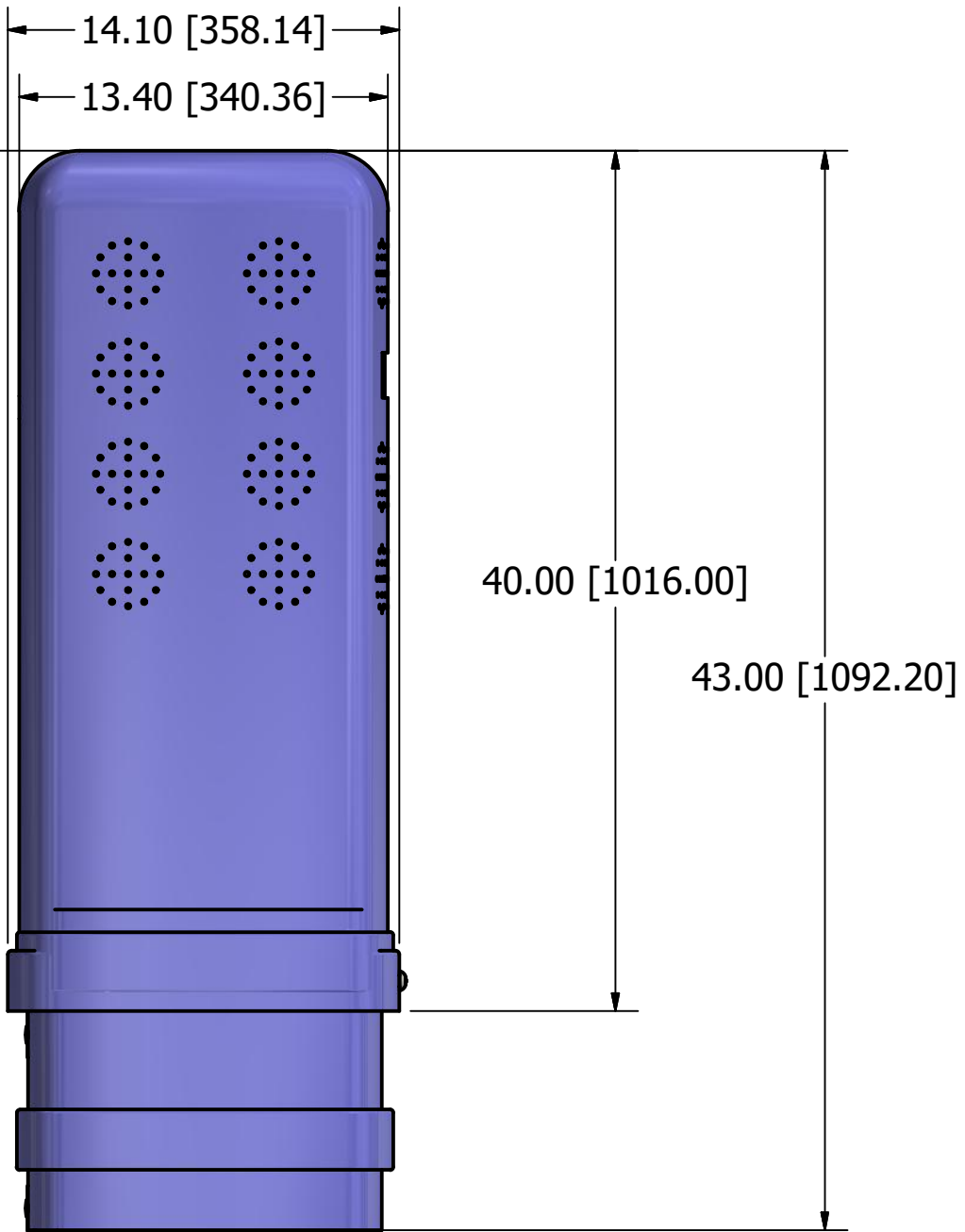
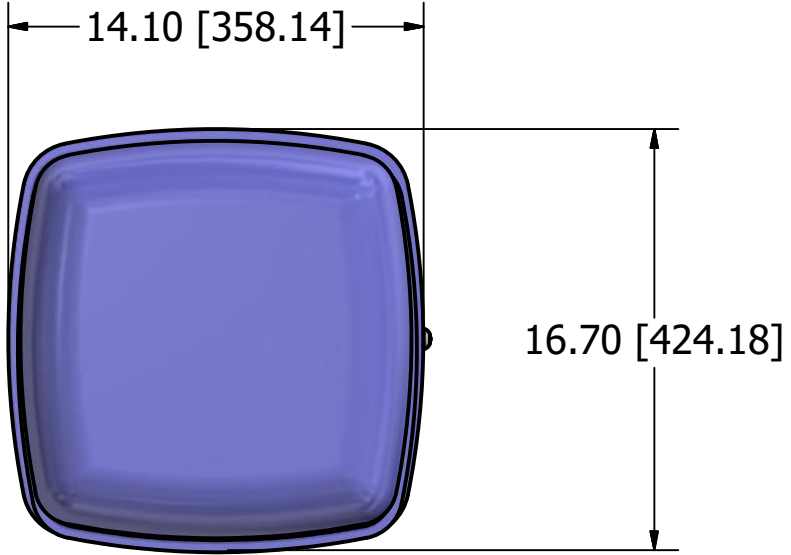
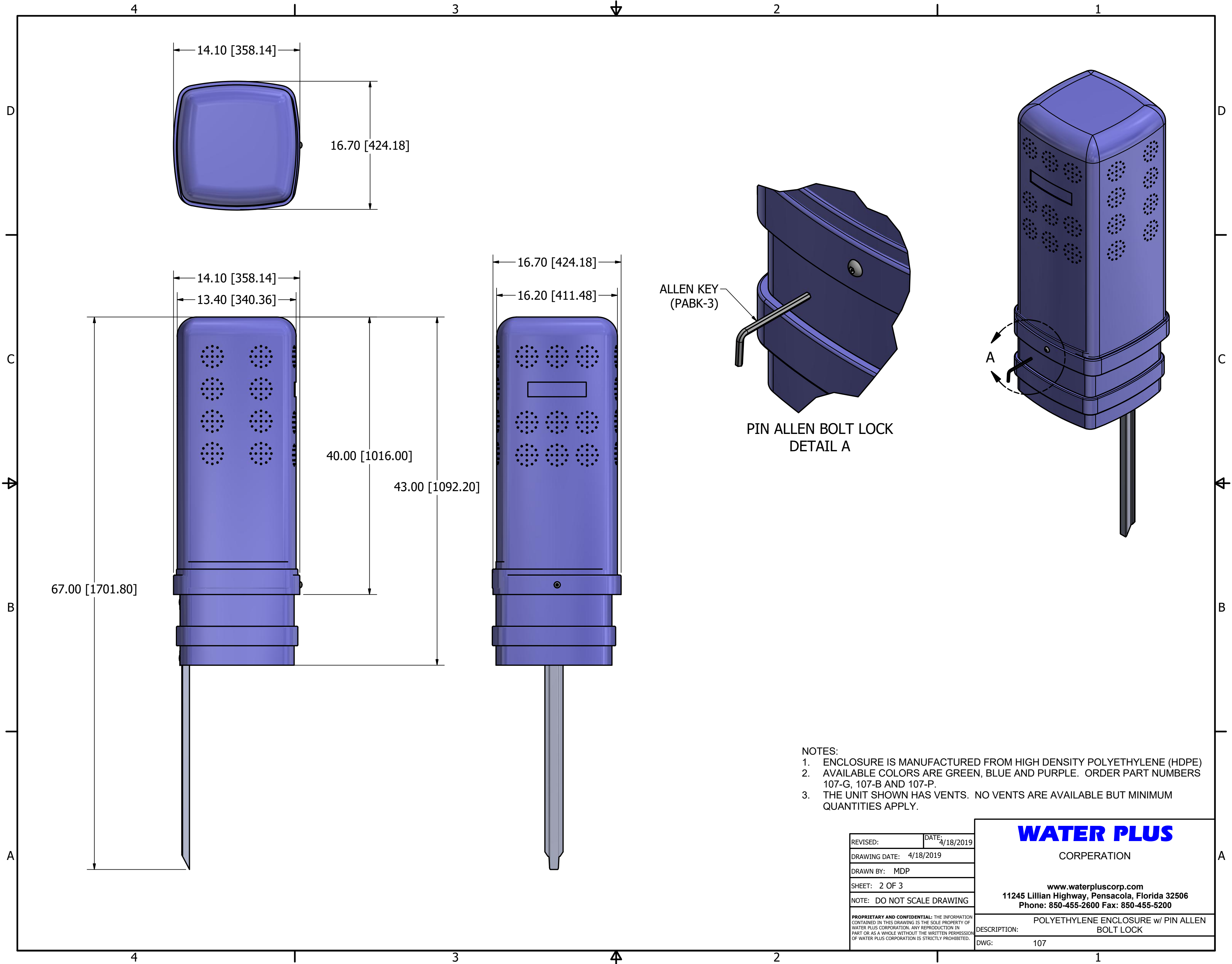
www.waterpluscorp.com  
11245 Lillian Highway, Pensacola, Florida 32506  
Phone: 850-455-2600 Fax: 850-455-5200

DESCRIPTION: POLYETHYLENE ENCLOSURE w/ PIN ALLEN BOLT LOCK

DWG: 107

4 3 2 1

4 3 2 1



- NOTES:
- ENCLOSURE IS MANUFACTURED FROM HIGH DENSITY POLYETHYLENE (HDPE)
  - AVAILABLE COLORS ARE GREEN, BLUE AND PURPLE. ORDER PART NUMBERS 107-G, 107-B AND 107-P.
  - THE UNIT SHOWN HAS VENTS. NO VENTS ARE AVAILABLE BUT MINIMUM QUANTITIES APPLY.

REVISED:	DATE: 4/18/2019
DRAWING DATE: 4/18/2019	
DRAWN BY: MDP	
SHEET: 2 OF 3	
NOTE: DO NOT SCALE DRAWING	
<small>PROPRIETARY AND CONFIDENTIAL: THE INFORMATION CONTAINED IN THIS DRAWING IS THE SOLE PROPERTY OF WATER PLUS CORPORATION. ANY REPRODUCTION IN PART OR AS A WHOLE WITHOUT THE WRITTEN PERMISSION OF WATER PLUS CORPORATION IS STRICTLY PROHIBITED.</small>	

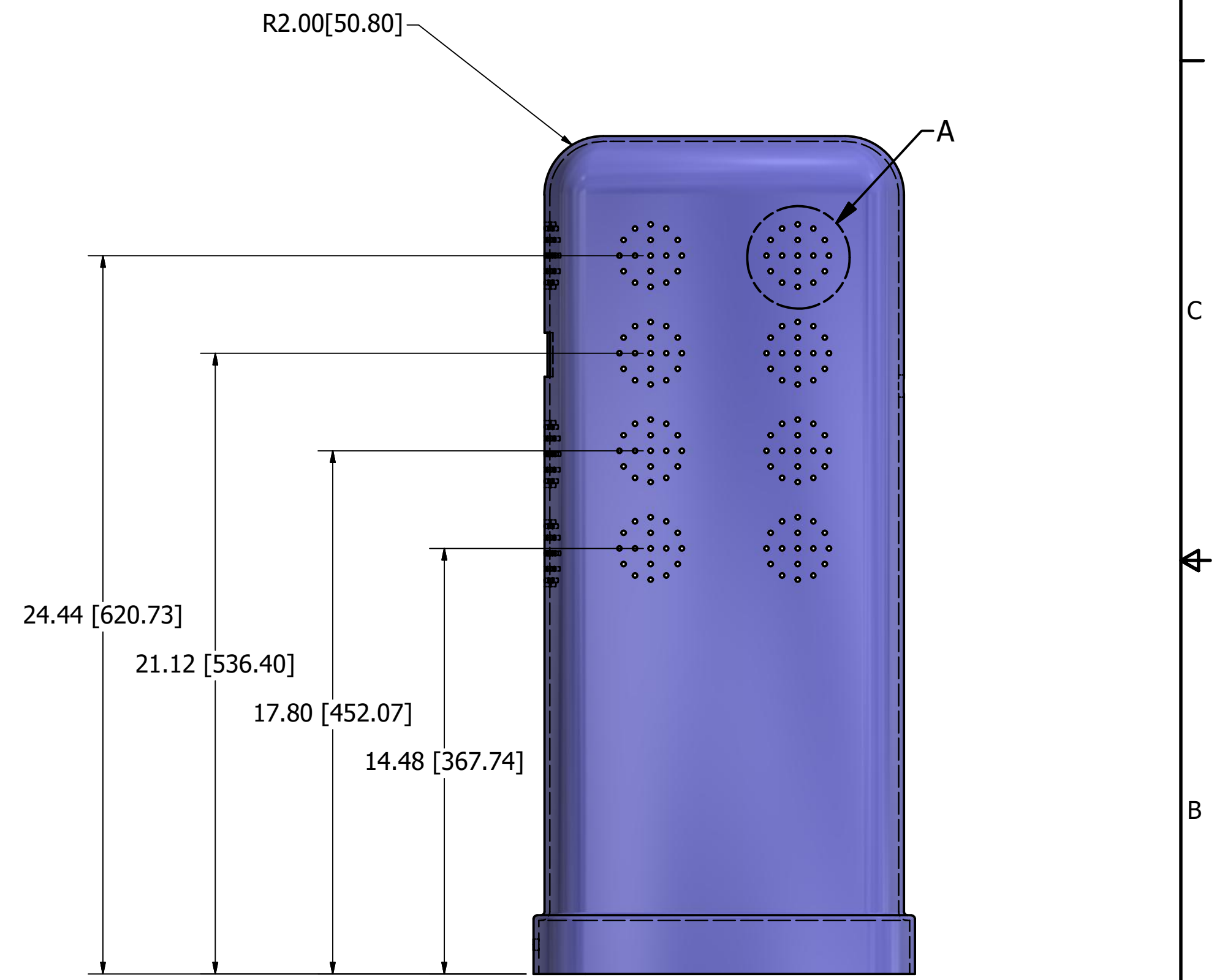
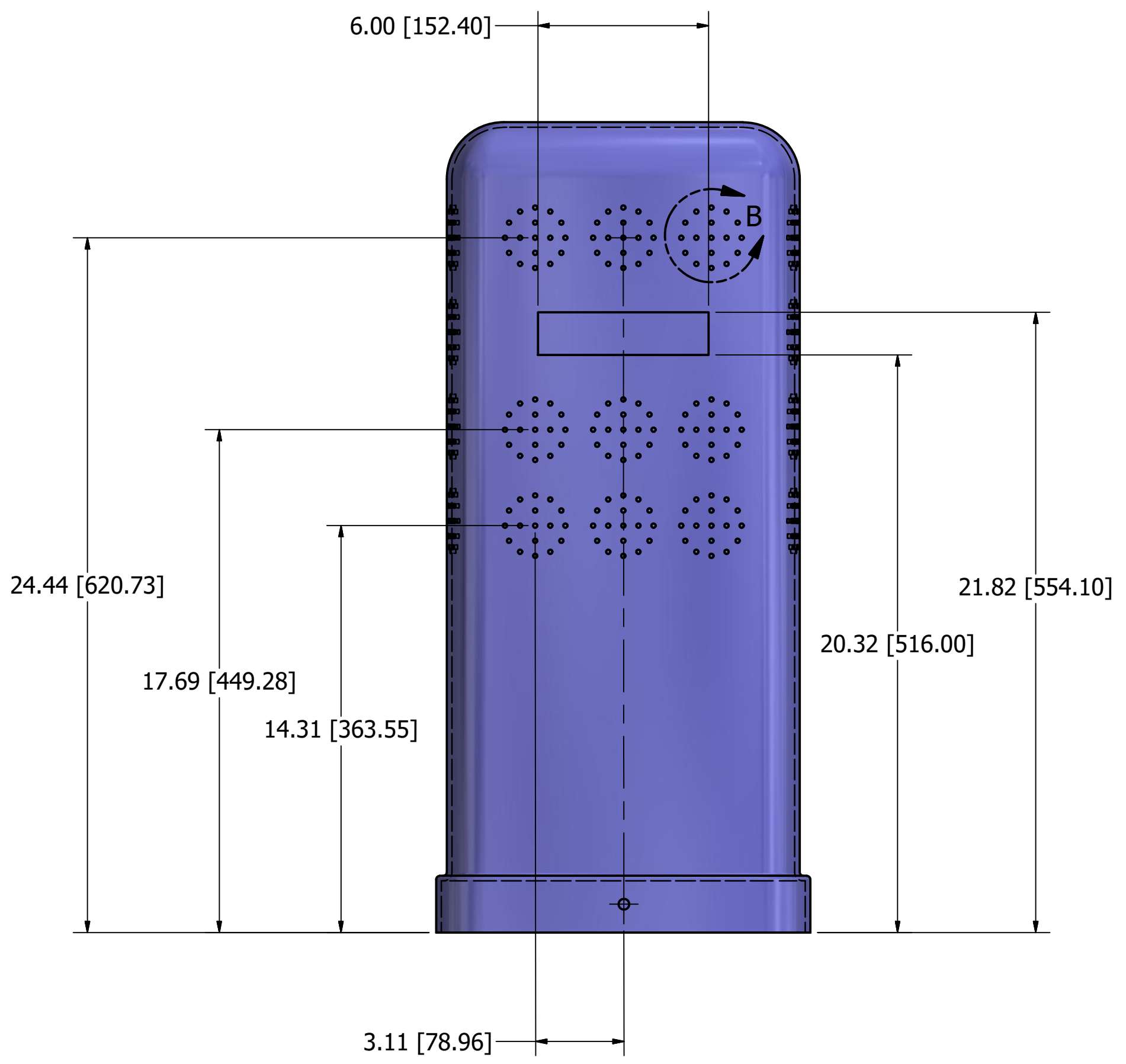
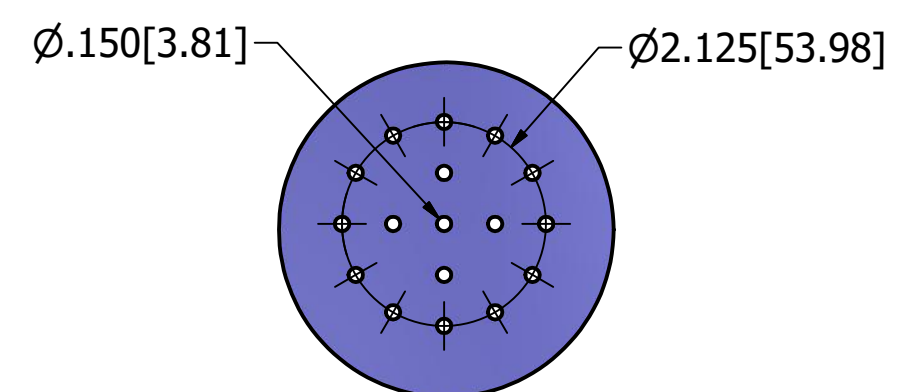
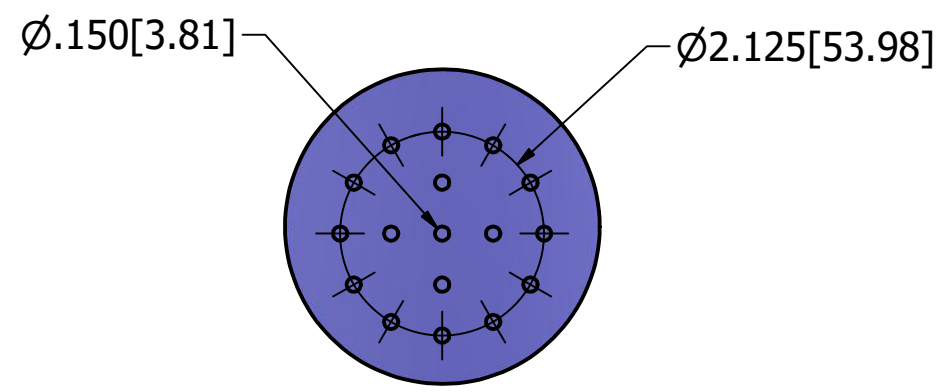
**WATER PLUS**  
CORPERATION

www.waterpluscorp.com  
11245 Lillian Highway, Pensacola, Florida 32506  
Phone: 850-455-2600 Fax: 850-455-5200

DESCRIPTION: POLYETHYLENE ENCLOSURE w/ PIN ALLEN BOLT LOCK

DWG: 107

# VENT DETAIL



- NOTES:
1. ENCLOSURE IS MANUFACTURED FROM HIGH DENSITY POLYETHYLENE (HDPE)
  2. AVAILABLE COLORS ARE GREEN, BLUE AND PURPLE. ORDER PART NUMBERS 107-G, 107-B AND 107-P.
  3. THE UNIT SHOWN HAS VENTS. NO VENTS ARE AVAILABLE BUT MINIMUM QUANTITIES APPLY.

REVISED:	DATE: 4/18/2019
DRAWING DATE: 4/18/2019	
DRAWN BY: MDP	
SHEET: 3 OF 3	
NOTE: DO NOT SCALE DRAWING	
<small>PROPRIETARY AND CONFIDENTIAL: THE INFORMATION CONTAINED IN THIS DRAWING IS THE SOLE PROPERTY OF WATER PLUS CORPORATION. ANY REPRODUCTION IN PART OR AS A WHOLE WITHOUT THE WRITTEN PERMISSION OF WATER PLUS CORPORATION IS STRICTLY PROHIBITED.</small>	

**WATER PLUS**  
CORPORATION

www.waterpluscorp.com  
11245 Lillian Highway, Pensacola, Florida 32506  
Phone: 850-455-2600 Fax: 850-455-5200

DESCRIPTION: POLYETHYLENE ENCLOSURE w/ PIN ALLEN BOLT LOCK

DWG: 107