

4

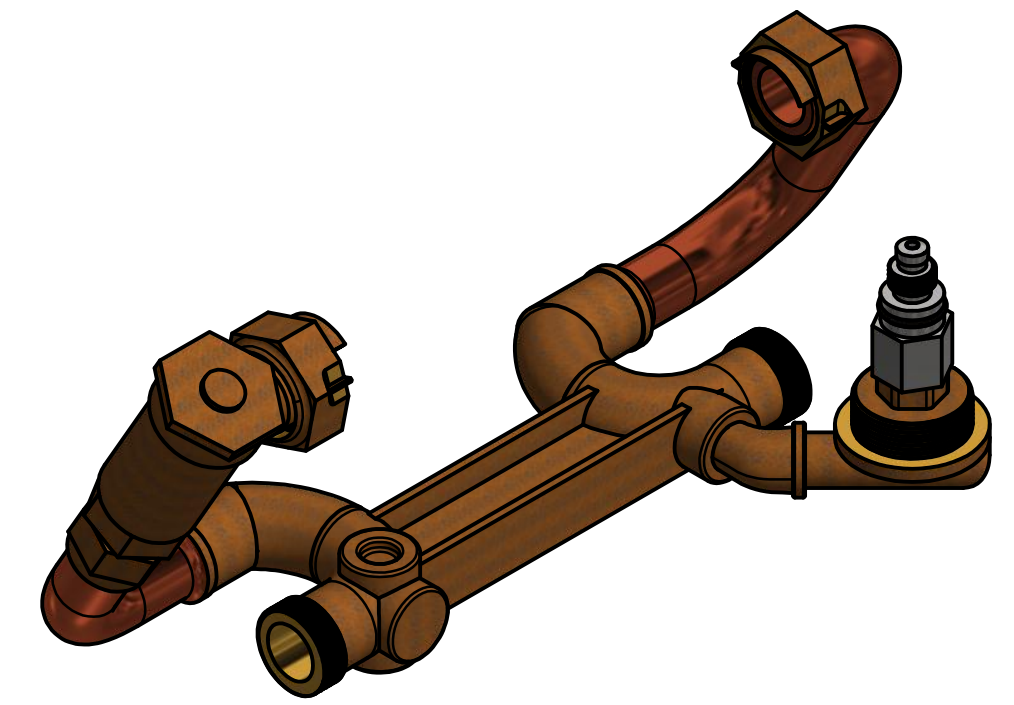
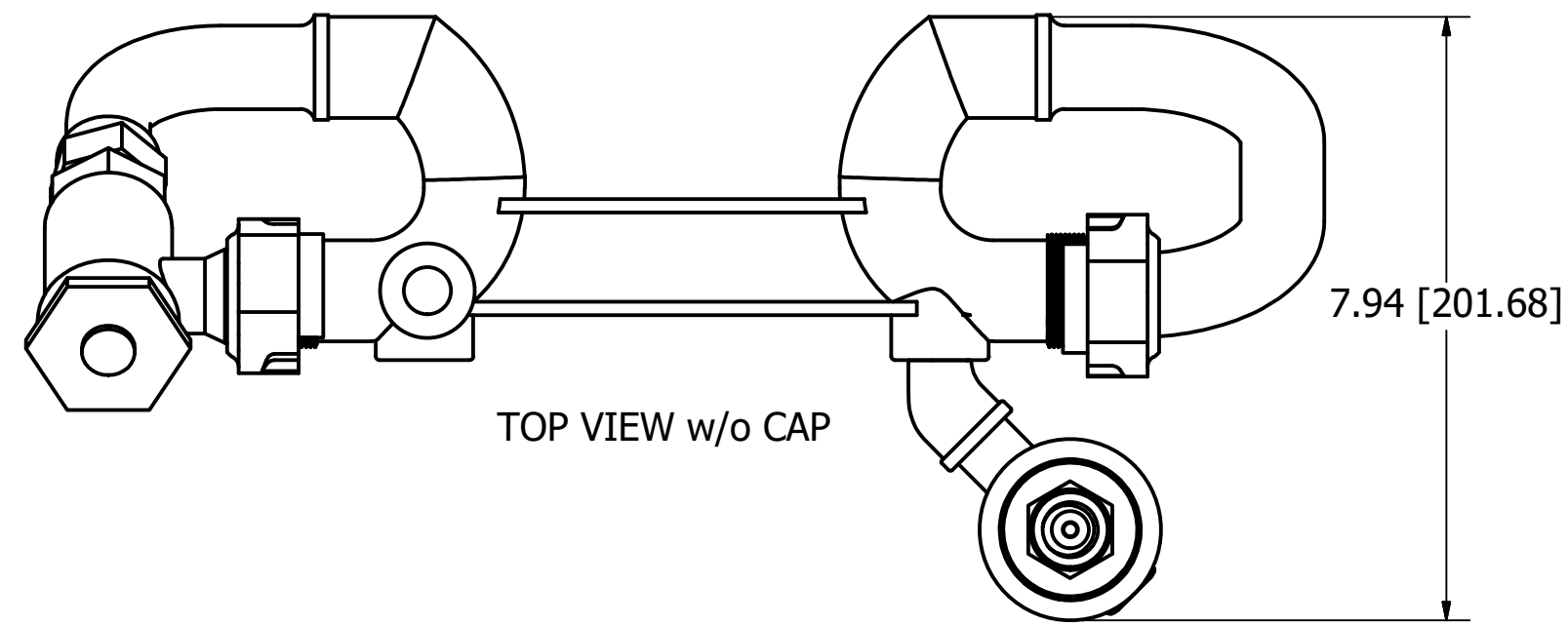
3

2

1

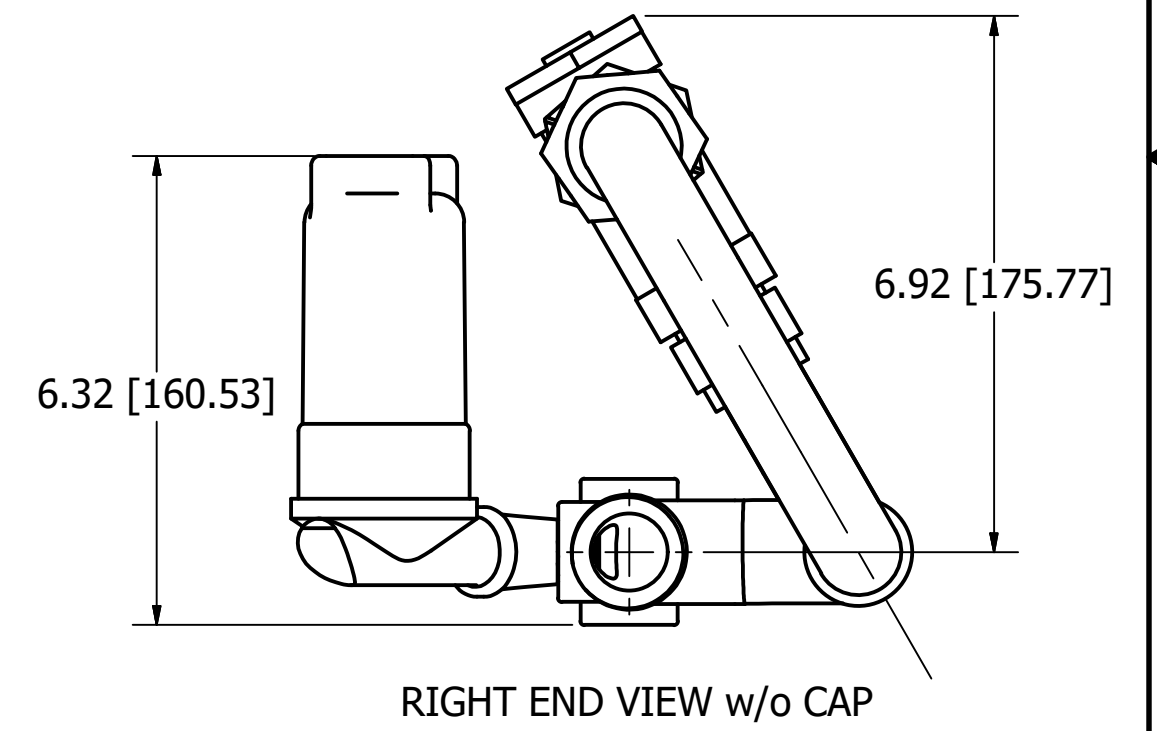
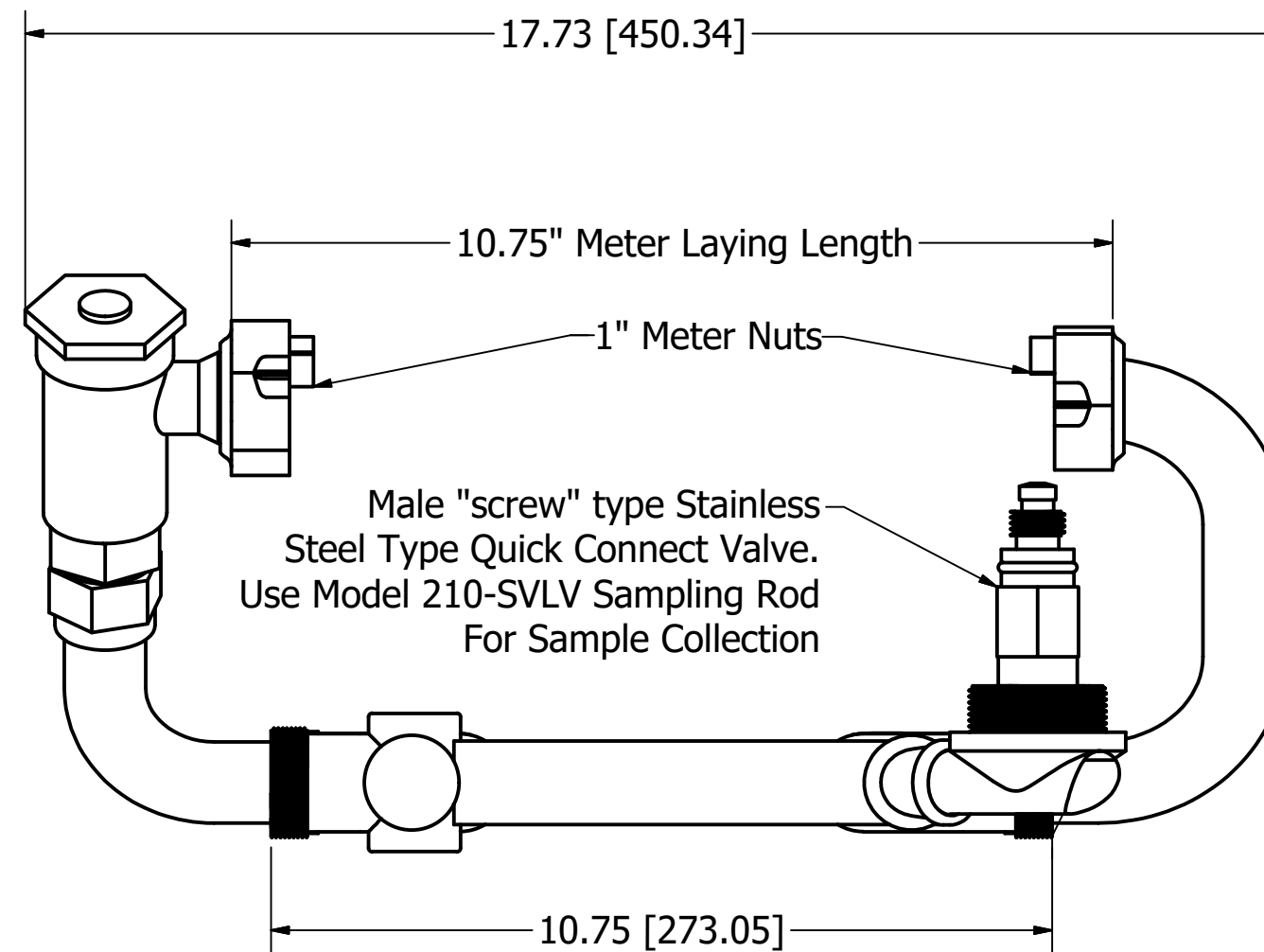
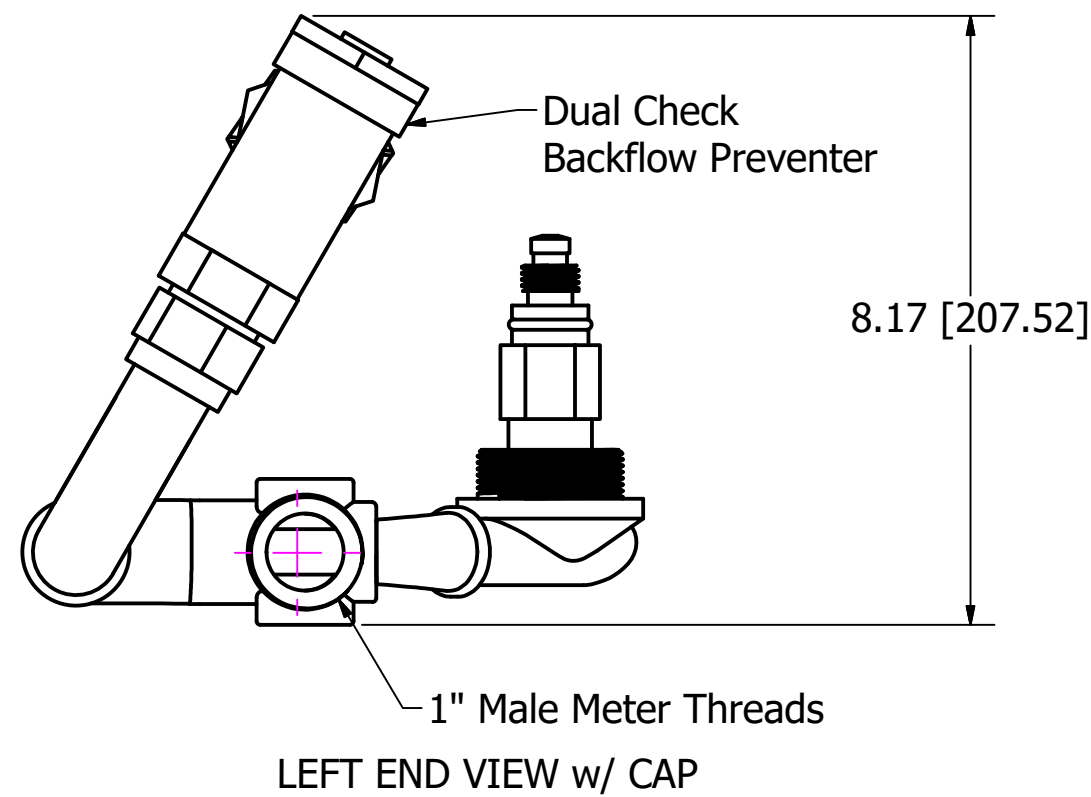
D

D



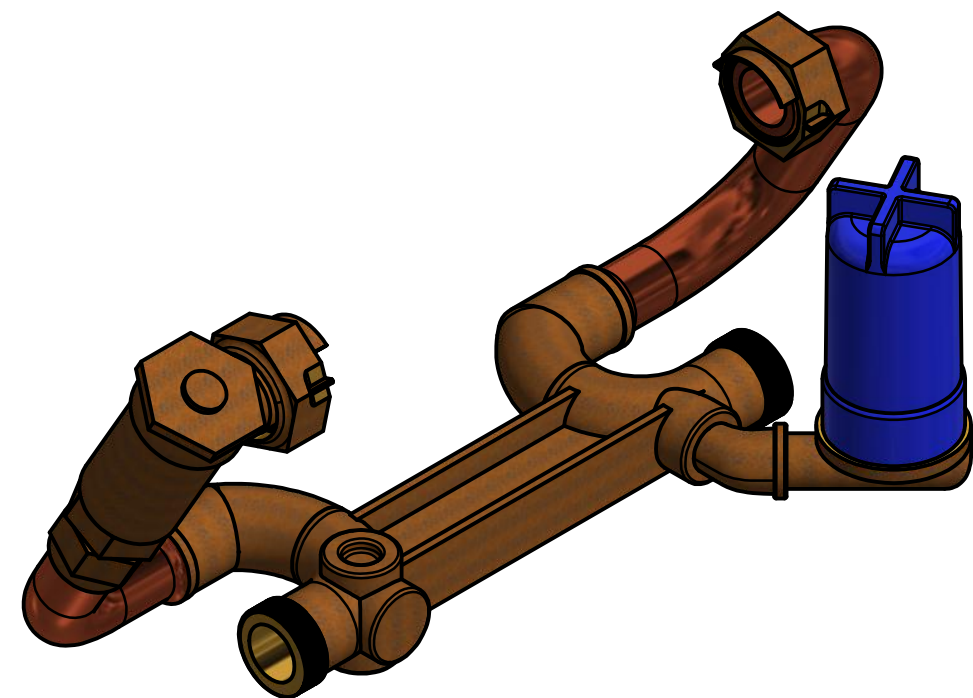
C

C



B

B



A

A

REVISED:	DATE: 4/18/2019
DRAWING DATE: 4/18/2019	
DRAWN BY:	
SHEET:	
NOTE: DO NOT SCALE DRAWING	
<small>PROPRIETARY AND CONFIDENTIAL: THE INFORMATION CONTAINED IN THIS DRAWING IS THE SOLE PROPERTY OF WATER PLUS CORPORATION. ANY REPRODUCTION IN PART OR AS A WHOLE WITHOUT THE WRITTEN PERMISSION OF WATER PLUS CORPORATION IS STRICTLY PROHIBITED.</small>	

WATER PLUS
CORPERATION

www.waterpluscorp.com
11245 Lillian Highway, Pensacola, Florida 32506
Phone: 850-455-2600 Fax: 850-455-5200

DESCRIPTION: MODEL 1500-1034A-SVLV
DWG: 1500-1034A-SVLV

-UNIT WEIGHT 5 LBS 8oz [2459 GRAMS]

4

3

2

1