

4

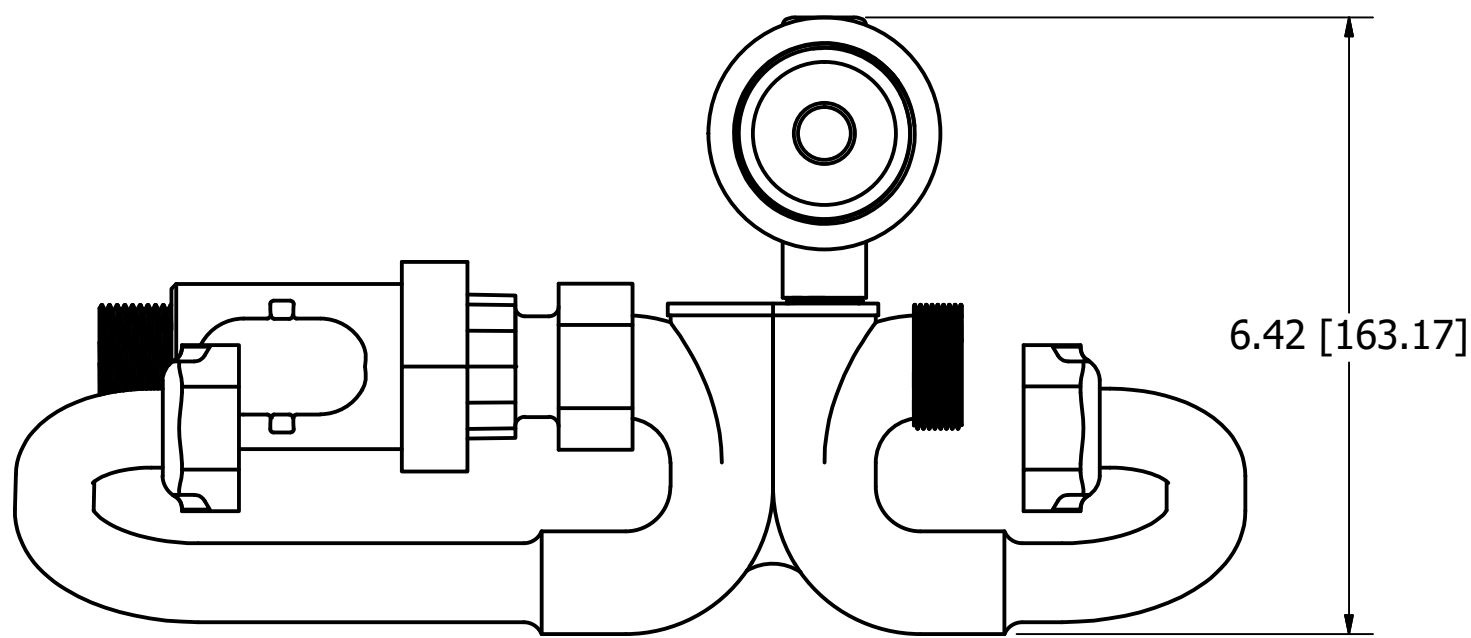
3

2

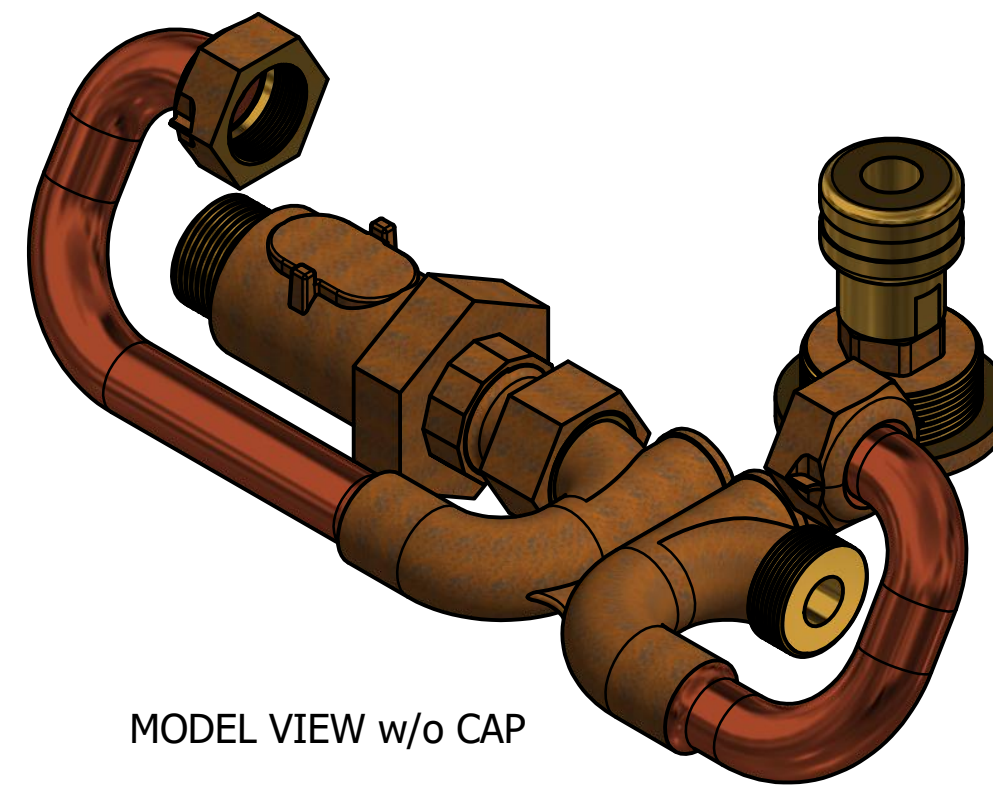
1

D

D



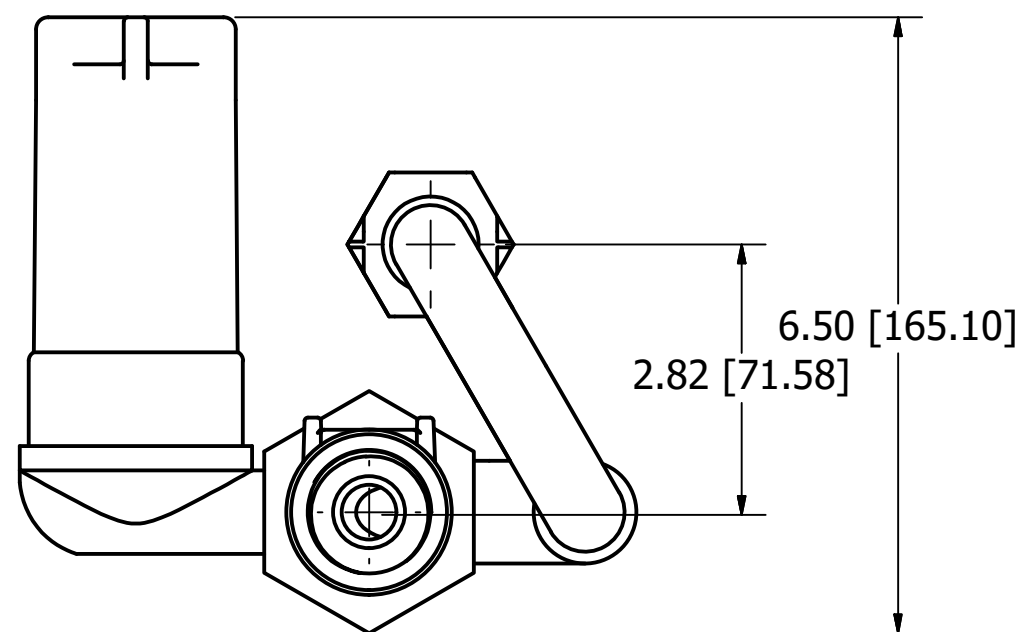
TOP VIEW w/o CAP



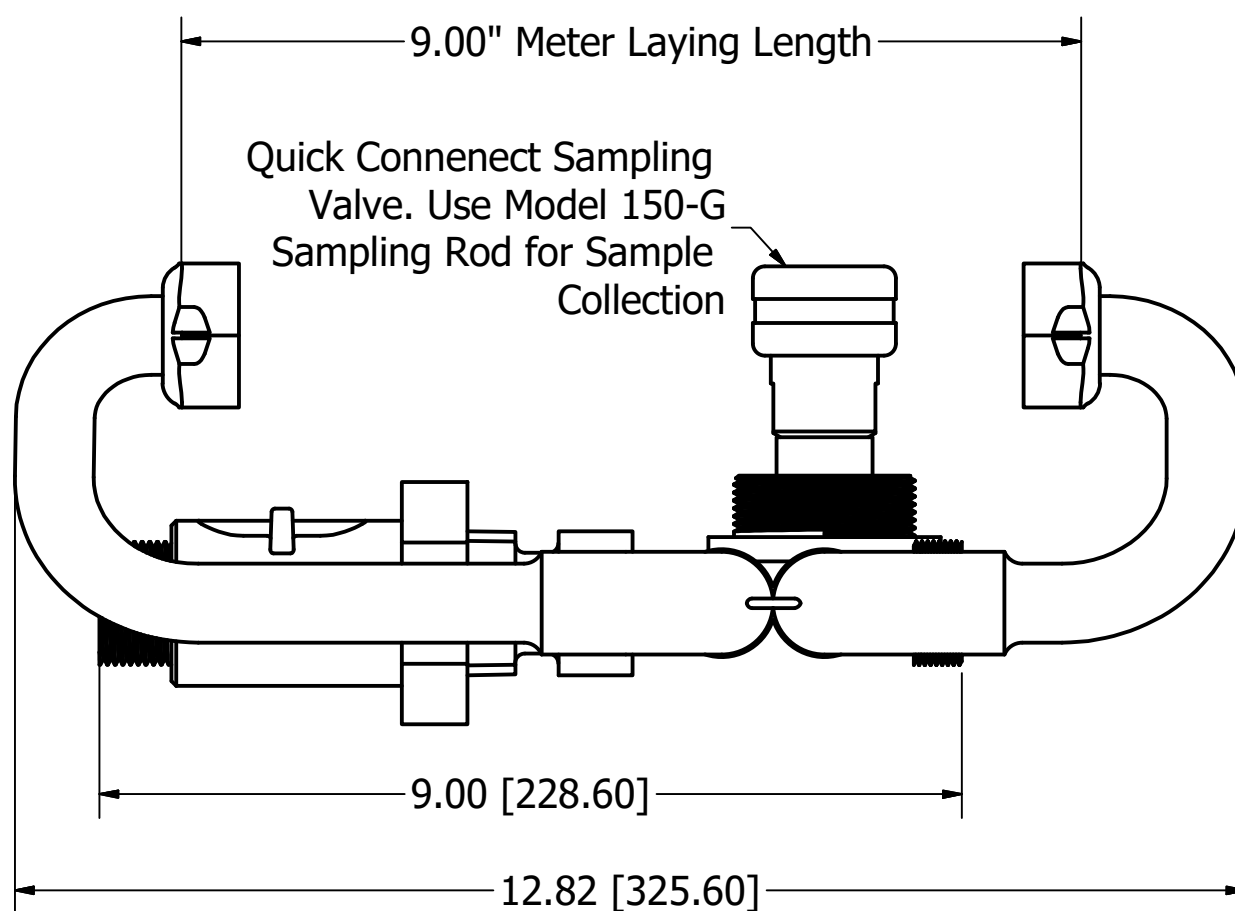
MODEL VIEW w/o CAP

C

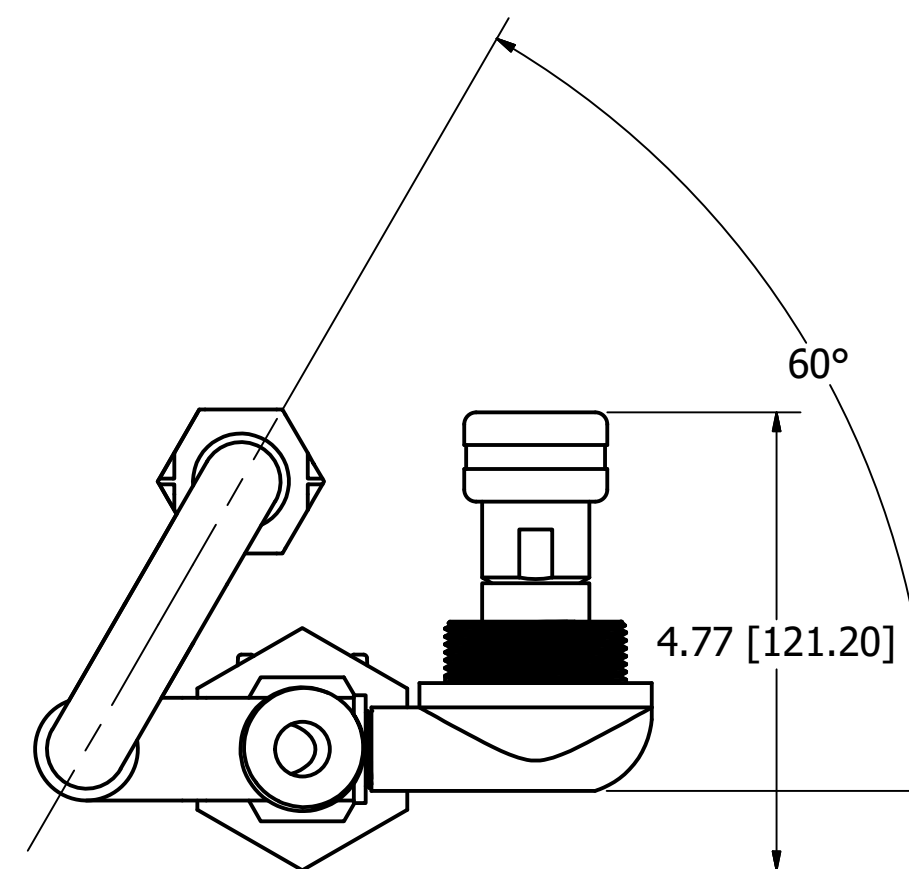
C



LEFT END VIEW w/ CAP



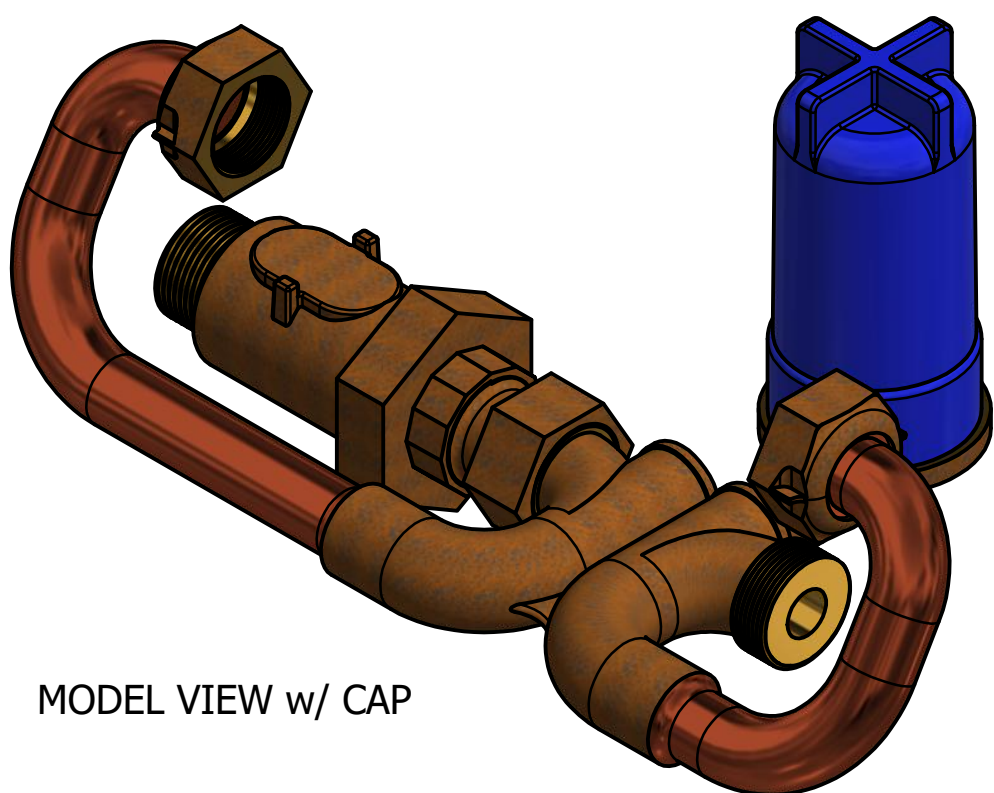
FRONT VIEW w/o CAP



RIGHT END VIEW w/o CAP

B

B



MODEL VIEW w/ CAP

A

A

-REPLACEMENT FOR 3/4" OR WATER METER WITH 9" LAYING LENGTH
 -UNIT WEIGHT 6 LBS 3 OZ [2807 GRAMS]

REVISED:	DATE: 4/18/2019
DRAWING DATE: 4/18/2019	
DRAWN BY:	
SHEET: 1 OF 1	
NOTE: DO NOT SCALE DRAWING	
<small>PROPRIETARY AND CONFIDENTIAL: THE INFORMATION CONTAINED IN THIS DRAWING IS THE SOLE PROPERTY OF WATER PLUS CORPORATION. ANY REPRODUCTION IN PART OR AS A WHOLE WITHOUT THE WRITTEN PERMISSION OF WATER PLUS CORPORATION IS STRICTLY PROHIBITED.</small>	

WATER PLUS
CORPORATION

www.waterpluscorp.com
 11245 Lillian Highway, Pensacola, Florida 32506
 Phone: 850-455-2600 Fax: 850-455-5200

DESCRIPTION:	MODEL 1500-FL34-NL
DWG:	1500-FL34-NL

4

3

2

1