

4

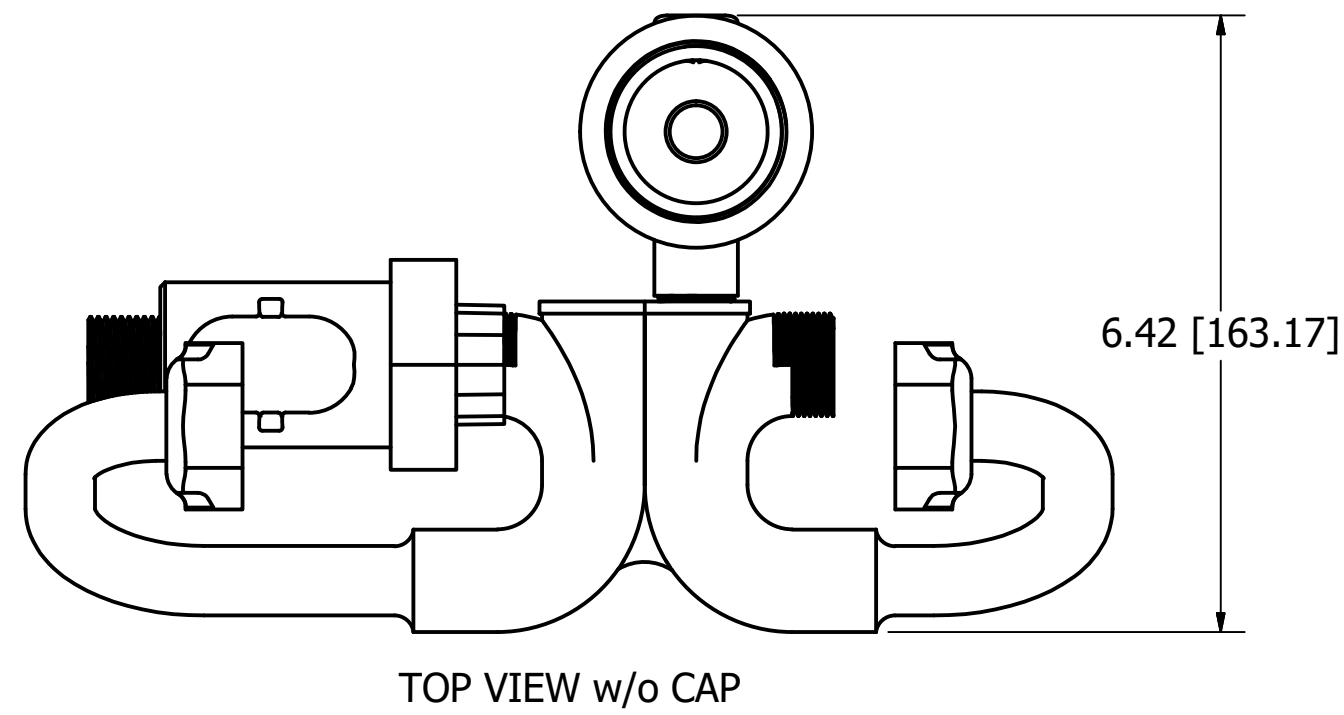
3

2

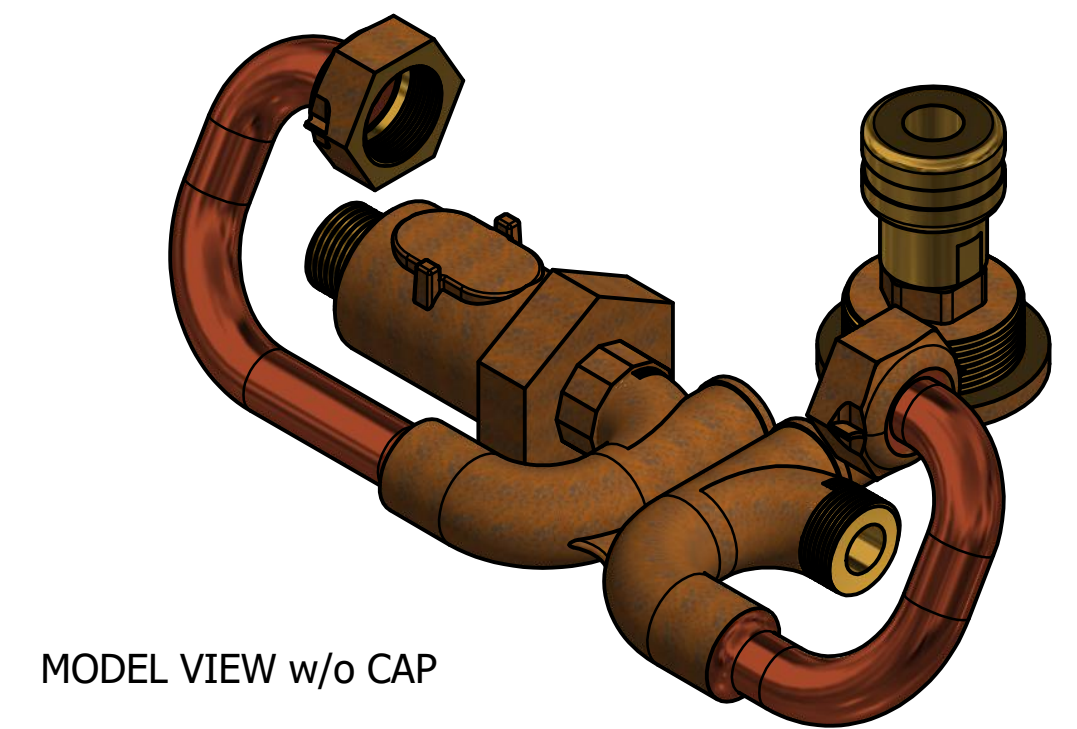
1

D

D



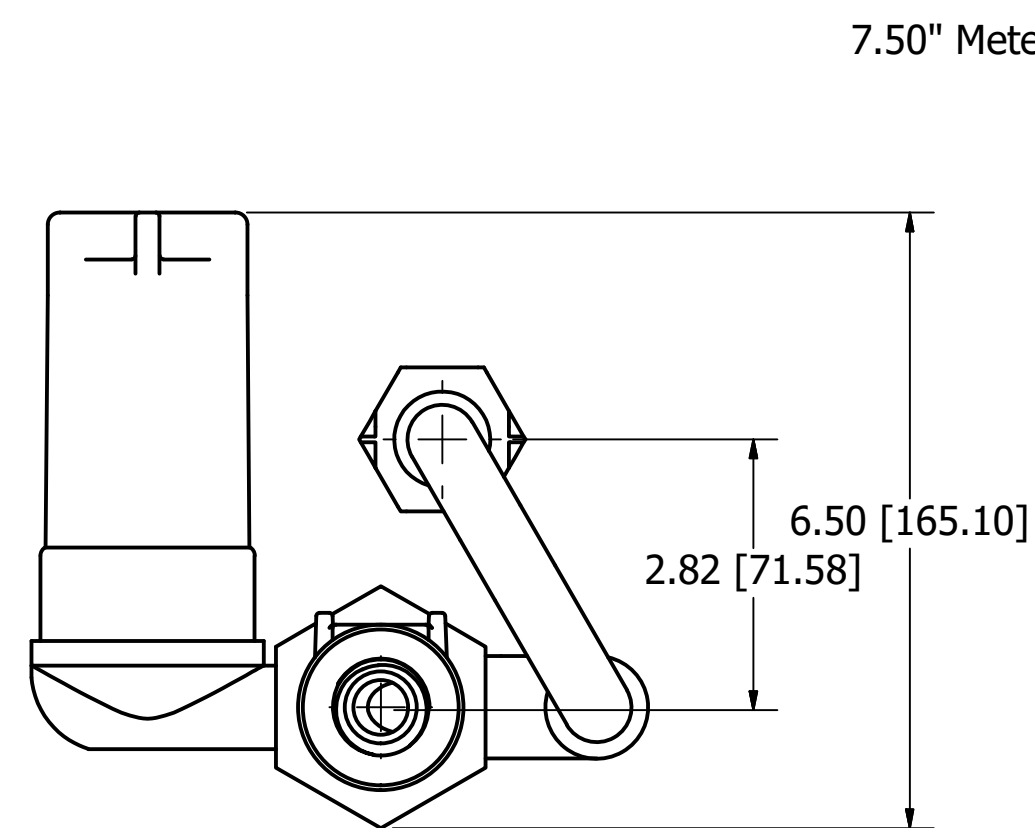
TOP VIEW w/o CAP



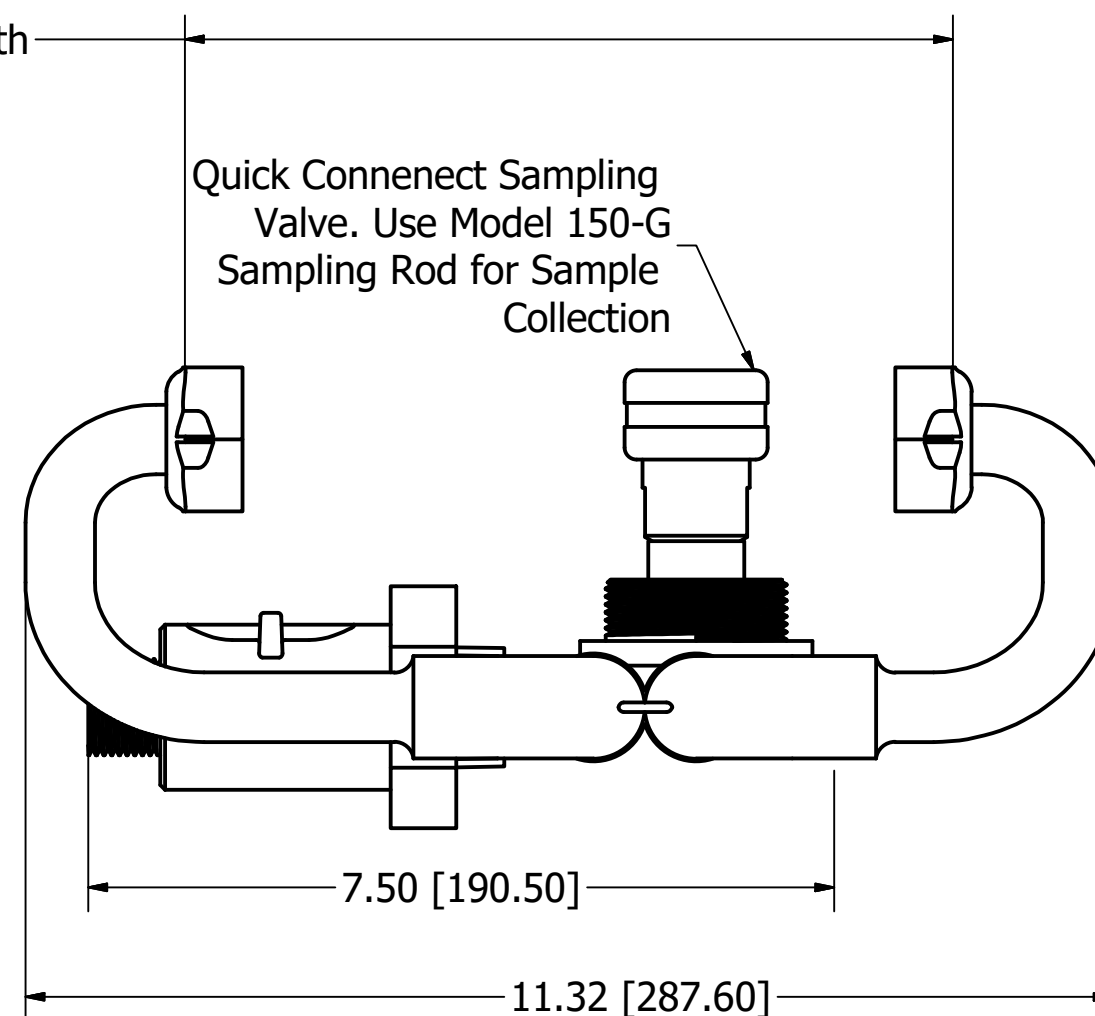
MODEL VIEW w/o CAP

C

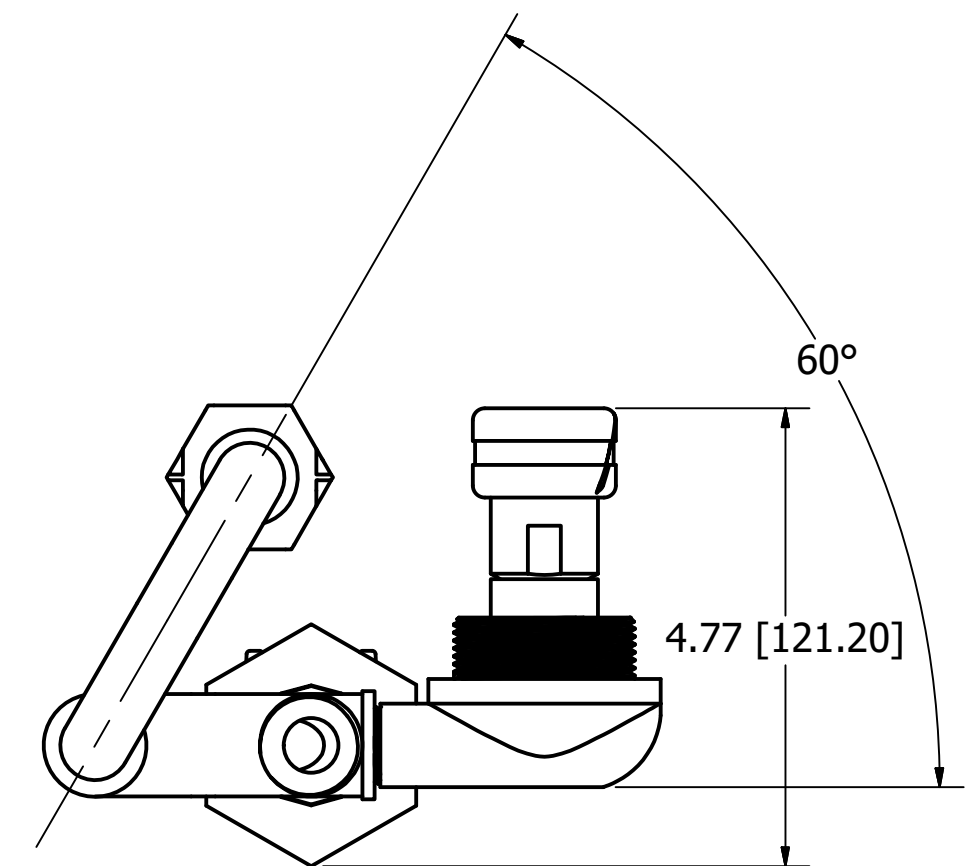
C



LEFT END VIEW w/ CAP



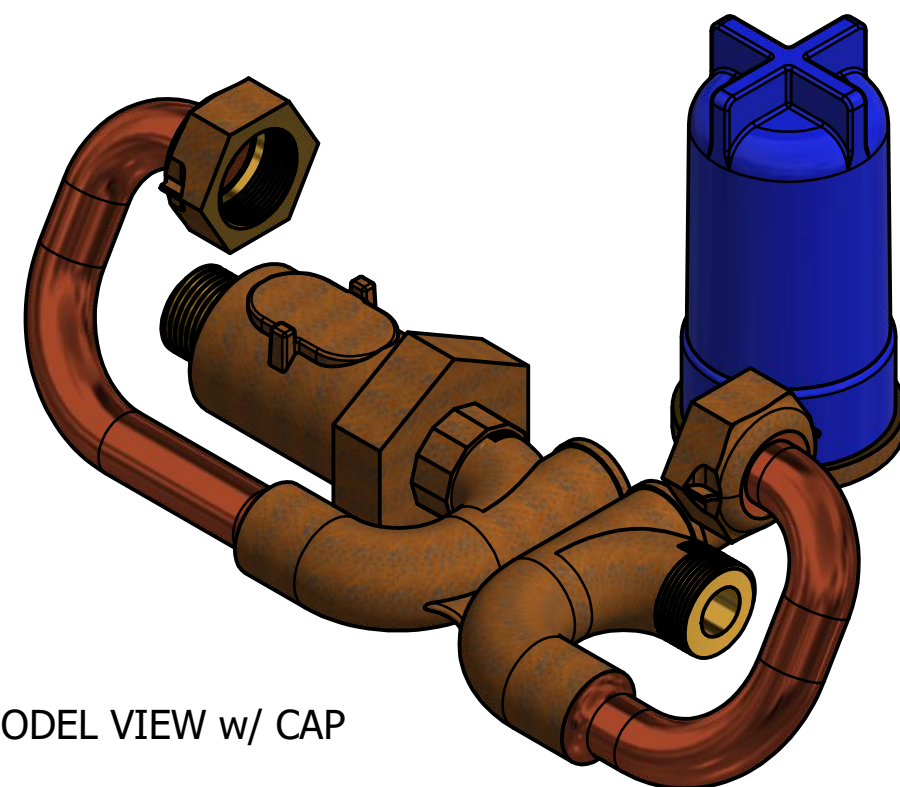
FRONT VIEW w/o CAP



RIGHT END VIEW w/o CAP

B

B



MODEL VIEW w/ CAP

A

A

-REPLACEMENT FOR STRAIGHT 5/8" OR 1/2" WATER METER WITH 7.5" LAYING LENGTH
 -UNIT WEIGHT 5 LBS 8oz [2459 GRAMS]

REVISED:	DATE: 4/18/2019
DRAWING DATE: 4/18/2019	
DRAWN BY:	
SHEET:	
NOTE: DO NOT SCALE DRAWING	
<small>PROPRIETARY AND CONFIDENTIAL: THE INFORMATION CONTAINED IN THIS DRAWING IS THE SOLE PROPERTY OF WATER PLUS CORPORATION. ANY REPRODUCTION IN PART OR AS A WHOLE WITHOUT THE WRITTEN PERMISSION OF WATER PLUS CORPORATION IS STRICTLY PROHIBITED.</small>	

WATER PLUS
CORPERATION

www.waterpluscorp.com
11245 Lillian Highway, Pensacola, Florida 32506
Phone: 850-455-2600 Fax: 850-455-5200

DESCRIPTION: MODEL 1500-ST58-NL
 DWG: 1500-FL34

4

3

2

1