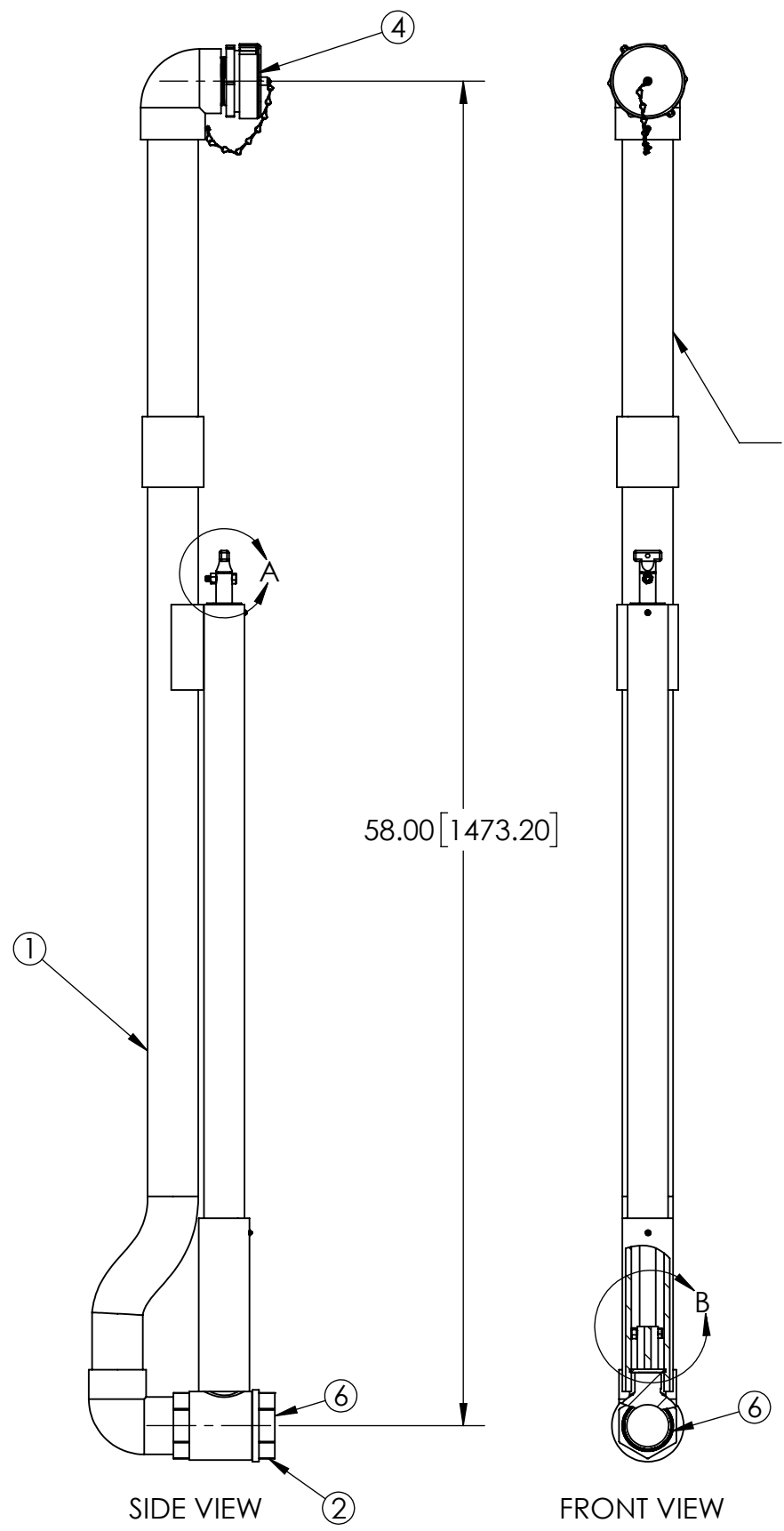
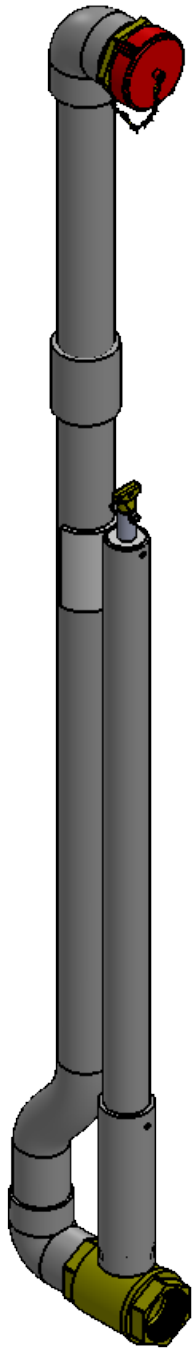
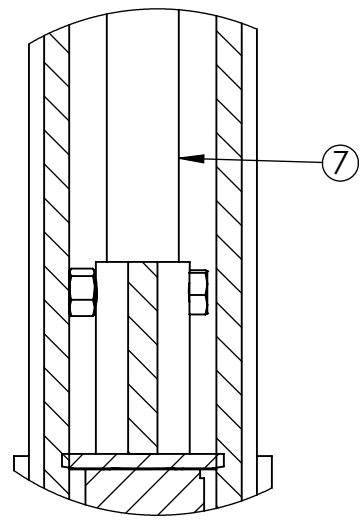


8 7 6 5 4 3 2 1

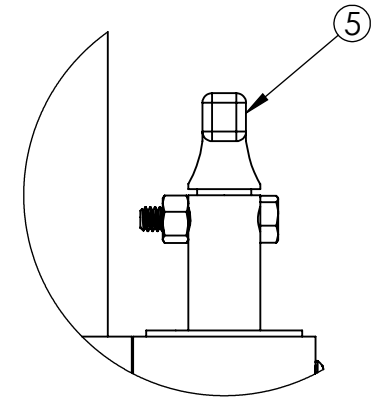
D  
C  
B  
A



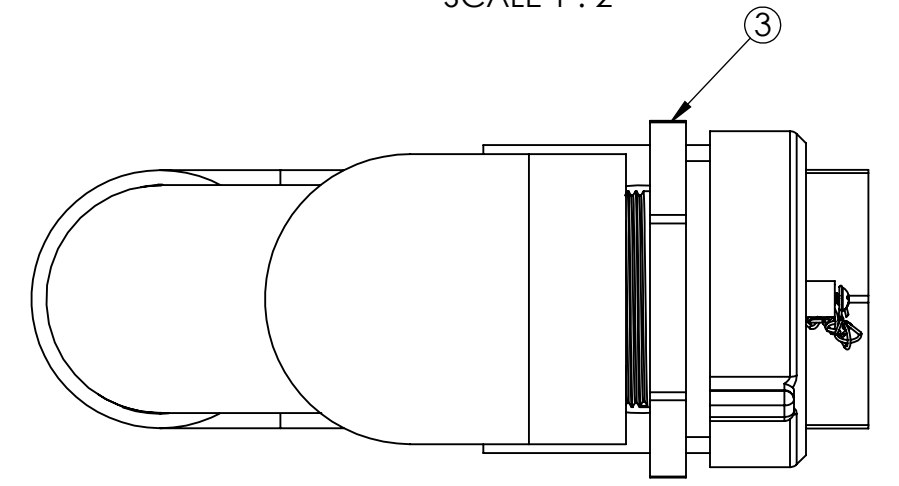
DISCHARGE BARREL IS SHIPPED SEPARATELY TO BE SOLVENT WELDED IN THE FIELD. THIS ALLOWS FIELD ADJUSTABLE DISCHARGE DIRECTION.



DETAIL B  
VALVE STEM ADAPTER  
SCALE 1 : 2



DETAIL A  
SCALE 1 : 2



TOP VIEW

ITEM #	DESCRIPTION	QTY.
1	2" SCHEDULE 80 PVC BARREL	1
2	2" APOLLO BORNZE BALL VALVE	1
3	2-1/2" NST BRONZE HYDRANT ADAPTER	1
4	2-1/2" NST HYDRANT CAP W/9" BRASS RETENTION CHAIN	1
5	BRONZE CURB KEY-ON/OFF OPERATION	1
6	2" MIP INLIET	2
7	STAINLESS STEEL VALVE EXTENSION	1

- NOTES:
1. UNIT IS AVAILABLE LEAD FREE. ORDER #2B36A-NL.
  2. UNIT IS 100% NON-CORROSIVE.
  3. STANDARD DEPTH BURY SHOWN IS 36". ANY DEPTH BURY AVAILABLE UP TO 60"

REVISED:	DATE: 11/22/16
DRAWING DATE:	11/22/16
DRAWN BY:	MDP
SHEET:	1 OF 1
NOTE: DO NOT SCALE DRAWING	
<small>PROPRIETARY AND CONFIDENTIAL: THE INFORMATION CONTAINED IN THIS DRAWING IS THE SOLE PROPERTY OF WATER PLUS CORPORATION. ANY REPRODUCTION IN PART OR AS A WHOLE WITHOUT THE WRITTEN PERMISSION OF WATER PLUS CORPORATION IS STRICTLY PROHIBITED.</small>	

**WATER PLUS**  
CORPORATION

www.waterpluscorp.com  
11245 Lillian Highway, Pensacola, Florida 32506  
Phone: 800.842.9979 Fax: 850.455.5200

DESCRIPTION:	ABOVE GRADE FLUSHING HYDRANT MODELS 2B36A & 2B36A-NL
DWG. NO.	2B36A

8 7 6 5 4 3 2 1