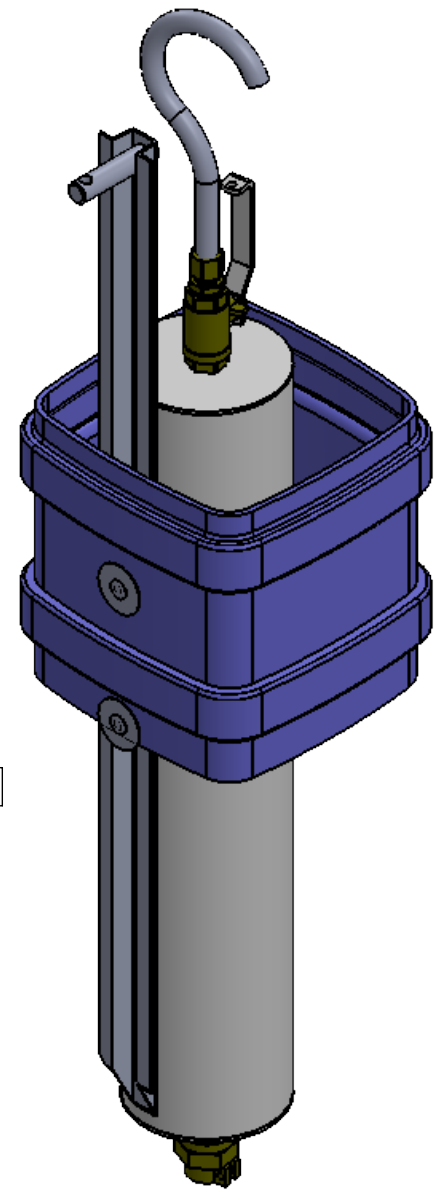
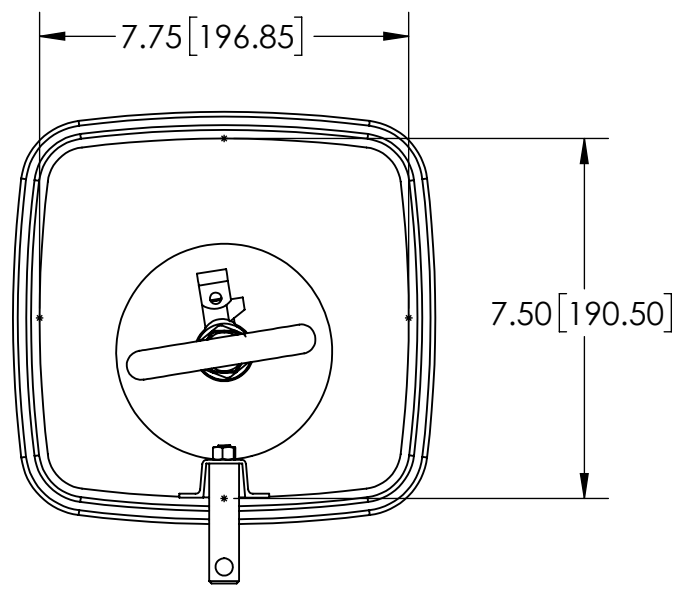


ITEM #	DESCRIPTION	QTY.
1	1/2" BRONZE THROTTLING BALL VALVE WITH LOCKING SS HANDLE	1
2	1/2" BRASS BARREL	1
3	3/4" CTS (COPPER TUBE SIZE) COMPRESSION CONNECTION	1
4	1" CLOSED CELL ELASTOMERIC INSULATION	1
5G	POLYETHYLENE HOUSING WITH HASP LOCK	1
6	4" PVC HOUSING	1



- NOTES:
- STANDARD DEPTH BURY IS 18".
 - STANDARD INLET IS 3/4" CTS COMPRESSION CONNECTION. ANY INLET CONNECTION AVAILABLE.
 - POLYETHYLENE HOUSING AVAILABLE IN BOTH BLUE AND GREEN.
 - UNIT IS DESIGNED FOR WARM CLIMATES.

REVISED:	DATE: 1/11/17
DRAWING DATE:	1/11/17
DRAWN BY:	MDP
SHEET:	1 OF 1
NOTE: DO NOT SCALE DRAWING	

PROPRIETARY AND CONFIDENTIAL: THE INFORMATION CONTAINED IN THIS DRAWING IS THE SOLE PROPERTY OF WATER PLUS CORPORATION. ANY REPRODUCTION IN PART OR AS A WHOLE WITHOUT THE WRITTEN PERMISSION OF WATER PLUS CORPORATION IS STRICTLY PROHIBITED.

WATER PLUS
CORPORATION

www.waterpluscorp.com
11245 Lillian Highway, Pensacola, Florida 32506
Phone: 800.842.9979 Fax: 850.455.5200

DESCRIPTION:	MODEL 301-W-NL ABOVE GRADE SAMPLING STATION
DWG. NO.	301-W-NL