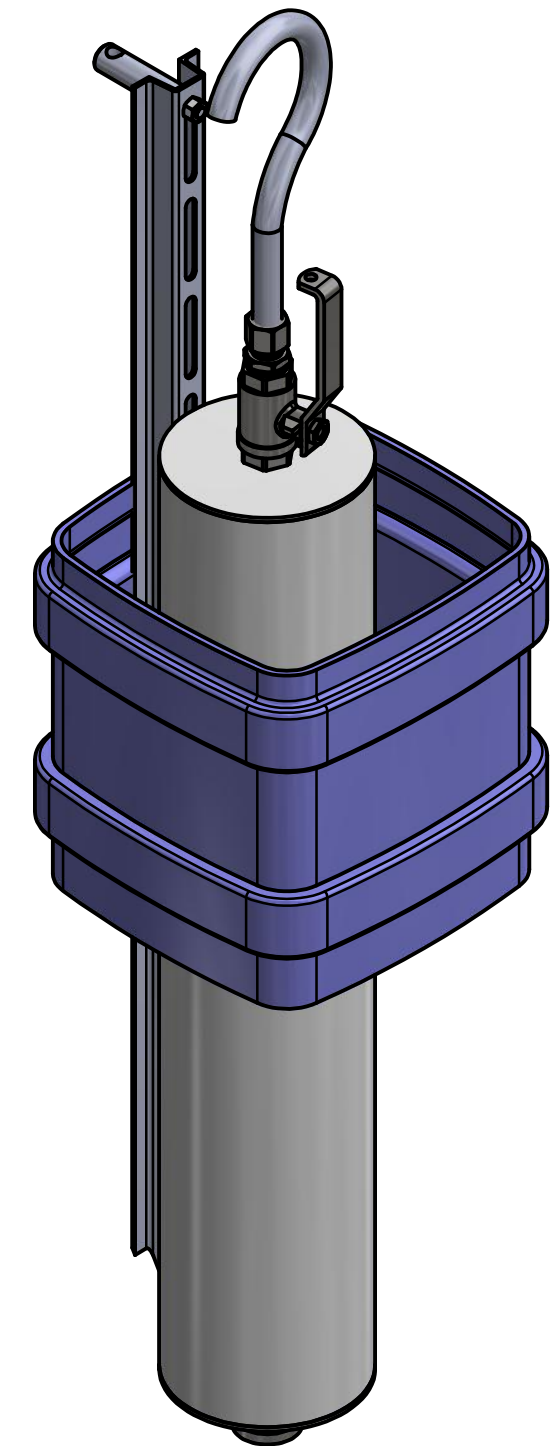
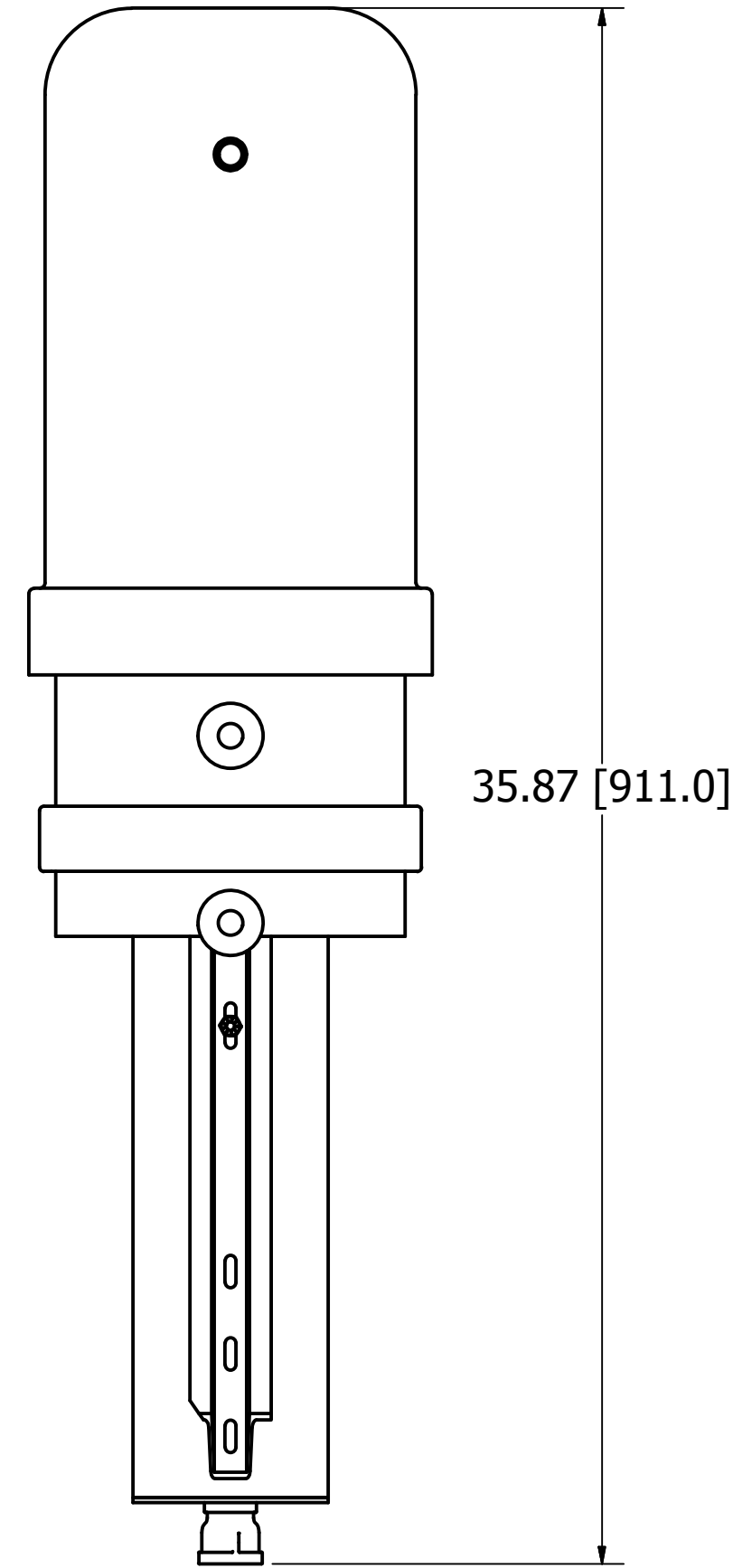
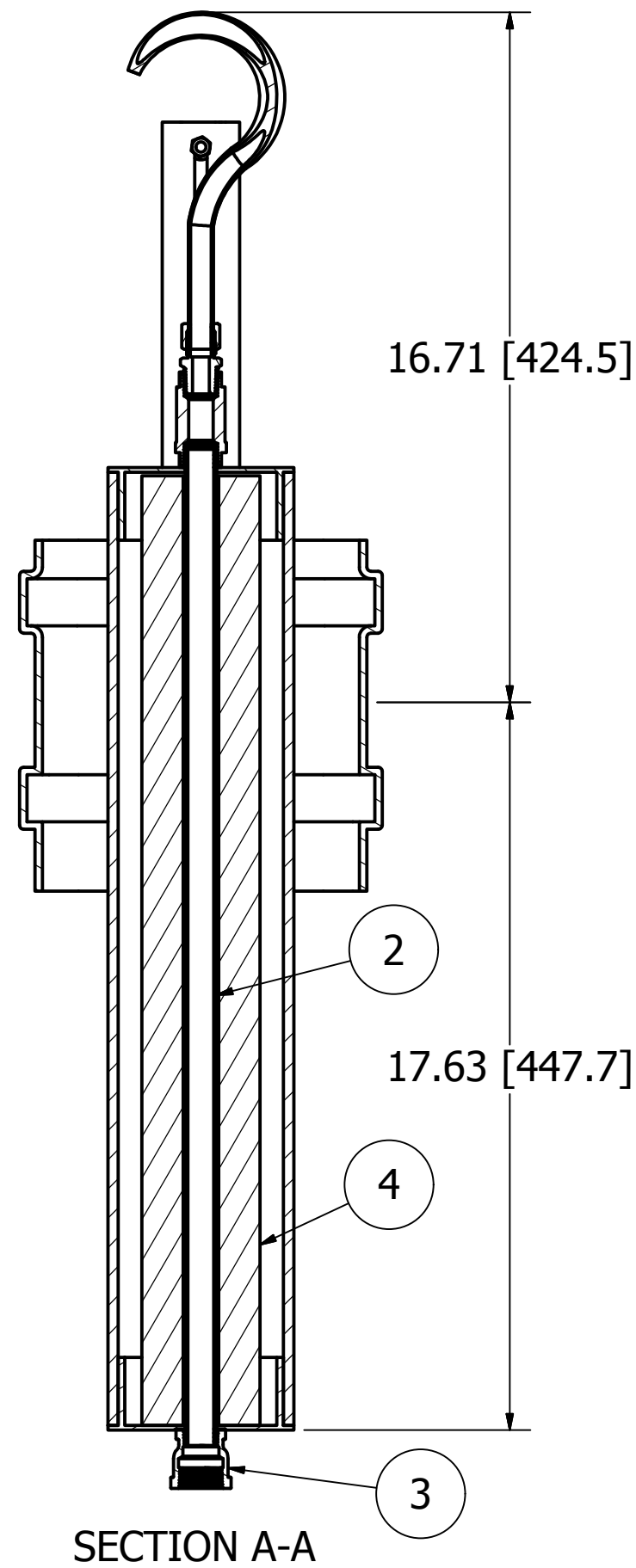
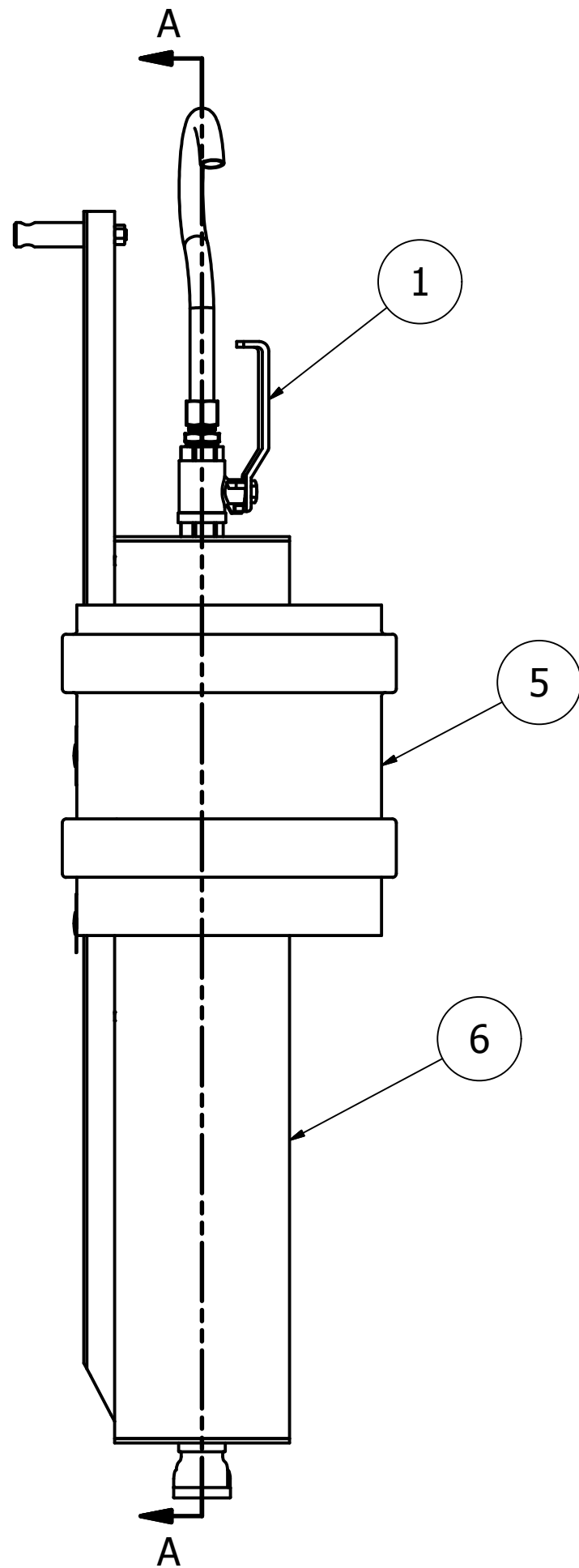


ITEM #	DESCRIPTION	QTY
1	1/2" STAINLESS STEEL BALL VALVE WITH LOCKING SS HANDLE	1
2	1/2" STAINLESS STEEL BARREL	1
3	3/4" STAINLESS STEEL FEMALE PIPE THREAD INLET	1
4	1" CLOSED CELL ELASTOMERIC INSULATION	1
5	POLYETHYLENE HOUSING WITH HASP LOCK	1
6	4" PVC HOUSING	1



- NOTES:
1. STANDARD DEPTH BURY IS 18"
  2. STANDARD INLET CONNECTION IS 3/4" STAINLESS STEEL FEMALE PIPE THREAD, ANY INLET CONNECTIONS IS AVAILABLE
  3. POLYETHYLENE HOUSING AVAILABLE IN BOTH BLUE OR GREEN
  4. UNIT IS DESIGNED FOR WARM CLIMATES

REVISED	DATE: 10/24/2018
DRAWING DATE : 10/24/2018	
DRAWN BY: MDP	
SHEET: 1 OF 1	
NOTE: DO NOT SCALE DRAWING	
<small>PROPRIETARY AND CONFIDENTIAL: THE INFORMATION CONTAINED IN THIS DRAWING IS THE SOLE PROPERTY OF WATER PLUS CORPORATION. ANY REPRODUCTION IN PART OR AS A WHOLE WITHOUT THE WRITTEN PERMISSION OF WATER PLUS CORPORATION IS STRICTLY PROHIBITED.</small>	

**WATER PLUS**  
CORPORATION

[www.waterpluscorp.com](http://www.waterpluscorp.com)  
11245 Lillian Highway, Pensacola, Florida 32506  
Phone: 800.842.9979 Fax: 850.455.5200

DESCRIPTION: MODEL 301-W-SS ABOVE GRADE SAMPLING STATION  
DWG NO: 301-W-SS