

8

7

6

5

4

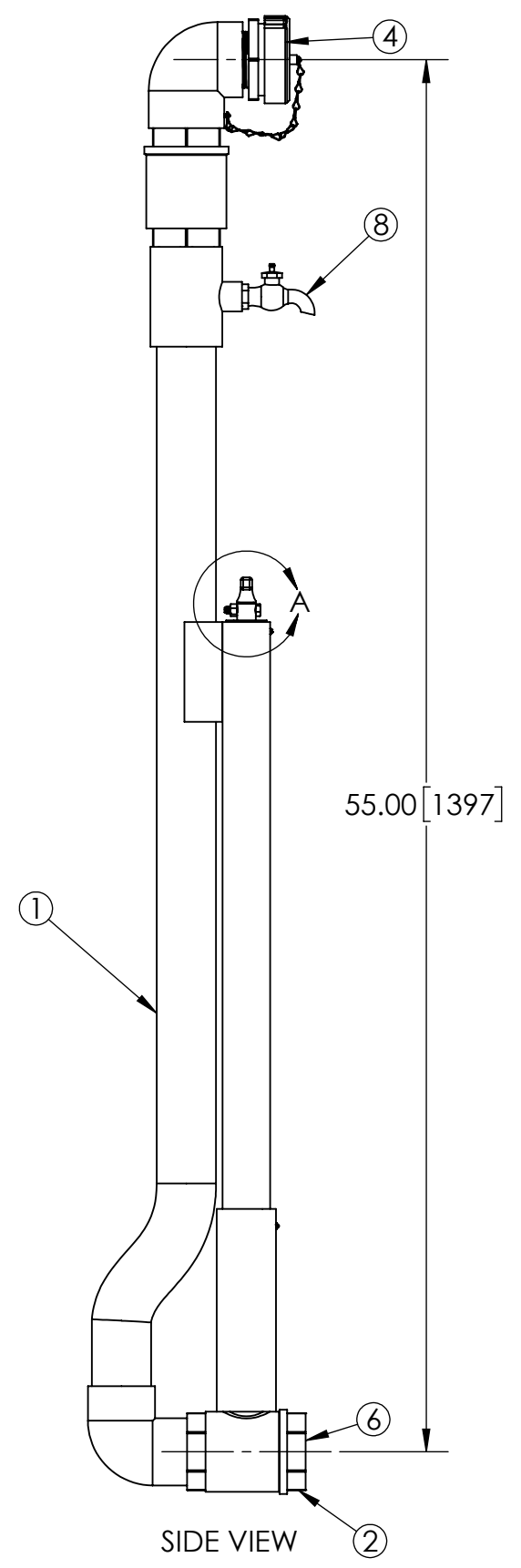
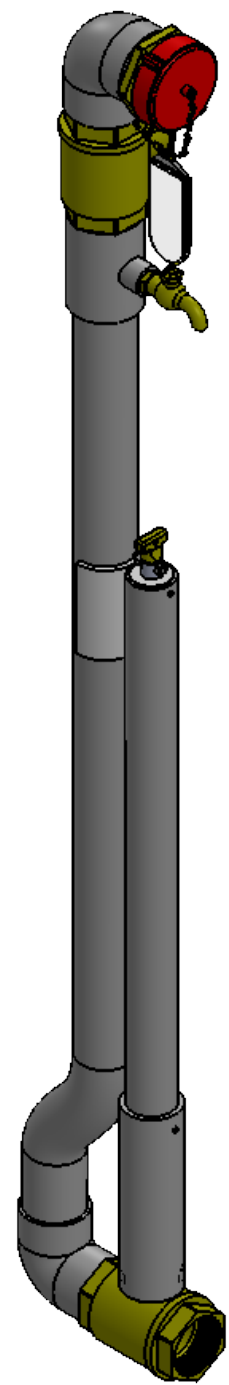
ITEM #	3	DESCRIPTION	1	QTY.
1		2" SCHEDULE 80 PVC BARREL		1
2		2" APOLLO BORNZE BALL VALVE		1
3		2-1/2" NST BRONZE HYDRANT ADAPTER		1
4		2-1/2" NST HYDRANT CAP W/9" BRASS RETENTION CHAIN		1
5		BRONZE CURB KEY-ON/OFF OPERATION		1
6		2" MIP INLIET		2
7		STAINLESS STEEL VALVE EXTENSION		1
8		1/2" SAMPLING PORT		1

D

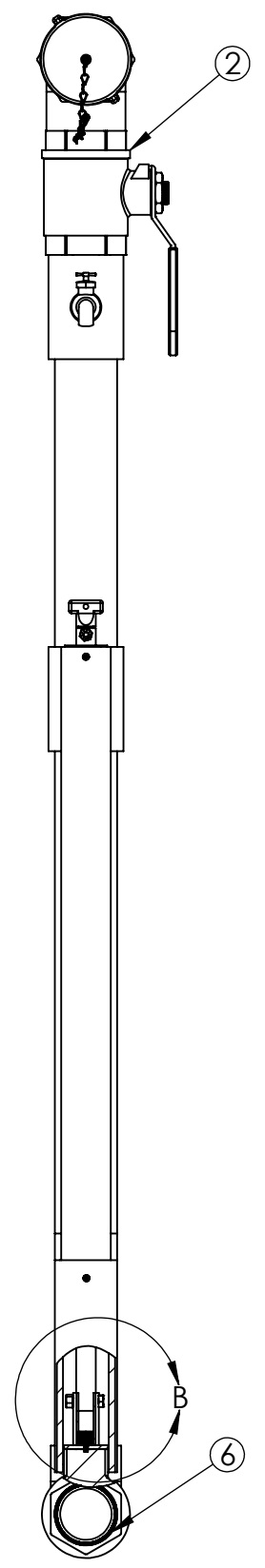
C

B

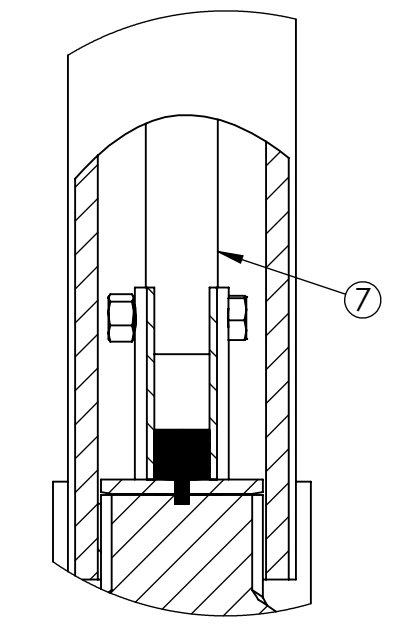
A



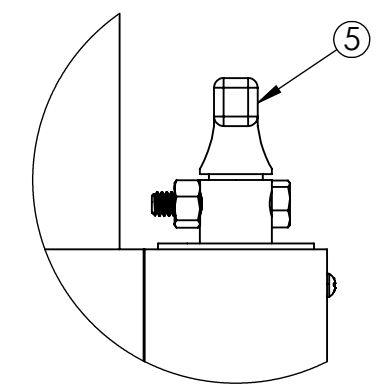
SIDE VIEW



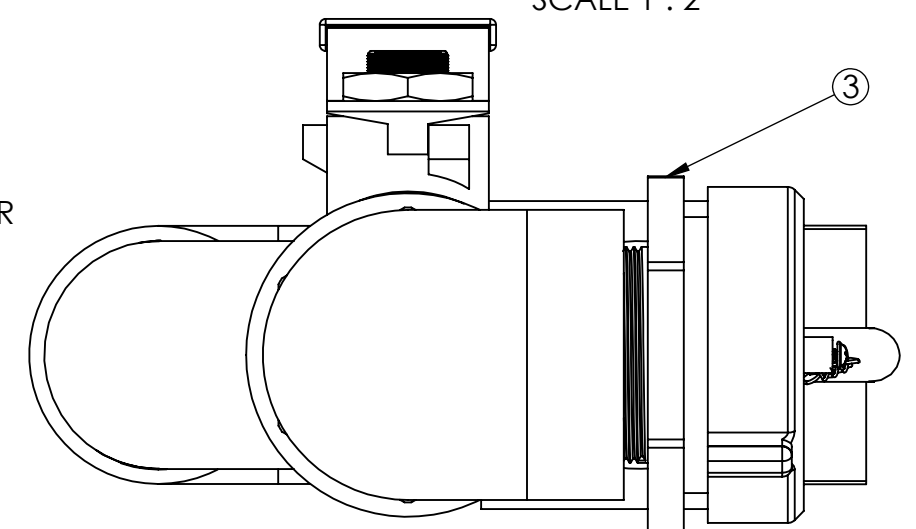
FRONT VIEW



DETAIL B  
VALVE STEM ADAPTER  
SCALE 1 : 2



DETAIL A  
SCALE 1 : 2



TOP VIEW  
SCALE 1 : 2

NOTES:

1. UNIT IS LEAD FREE.
2. UNIT IS 100% NON-CORROSIVE.
3. STANDARD DEPTH BURY SHOWN IS 36". ANY DEPTH BURY AVAILABLE UP TO 60"
4. FLUSHING DISCHARGE AND SAMPLING PORT DIRECTION MAY BE CUSTOMIZED BY THE FACTORY UPON REQUEST.

REVISED:	DATE: 11/22/16
DRAWING DATE:	11/22/16
DRAWN BY:	MDP
SHEET:	1 OF 1
NOTE: DO NOT SCALE DRAWING	
<small>PROPRIETARY AND CONFIDENTIAL: THE INFORMATION CONTAINED IN THIS DRAWING IS THE SOLE PROPERTY OF WATER PLUS CORPORATION. ANY REPRODUCTION IN PART OR AS A WHOLE WITHOUT THE WRITTEN PERMISSION OF WATER PLUS CORPORATION IS STRICTLY PROHIBITED.</small>	

**WATER PLUS**  
CORPORATION

[www.waterpluscorp.com](http://www.waterpluscorp.com)  
 11245 Lillian Highway, Pensacola, Florida 32506  
 Phone: 800.842.9979 Fax: 850.455.5200

DESCRIPTION:	ABOVE GRADE FLUSHING HYDRANT W/SAMPLING PORT MODEL 5000-NL
DWG. NO.	5000-NL

8

7

6

5

4

3

2

1