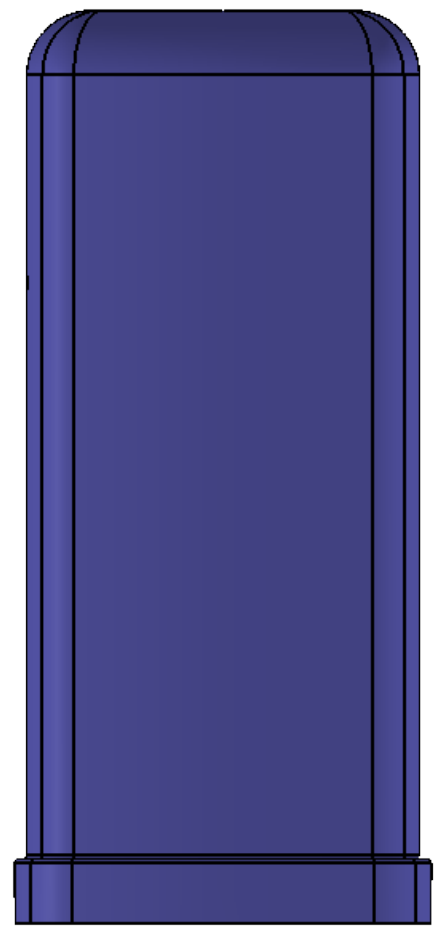
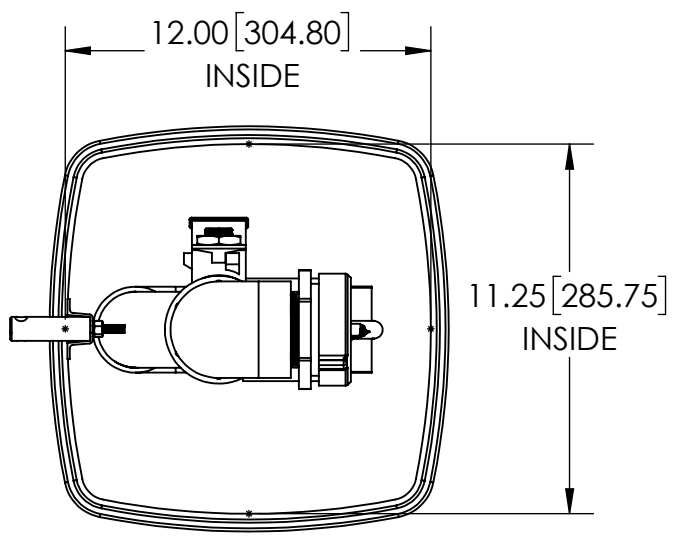
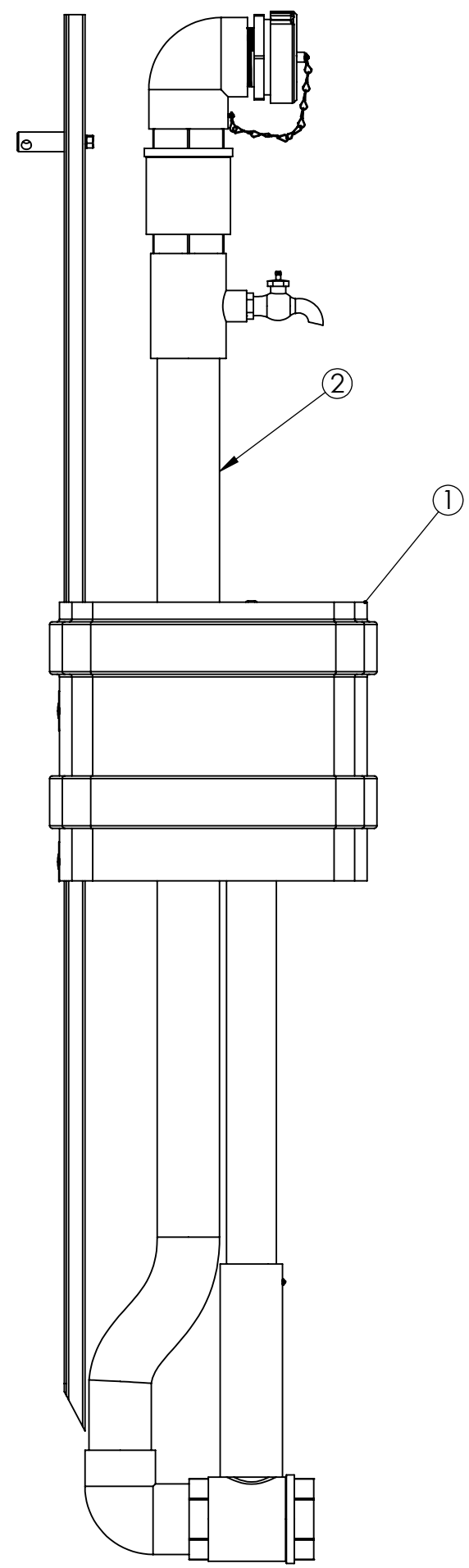
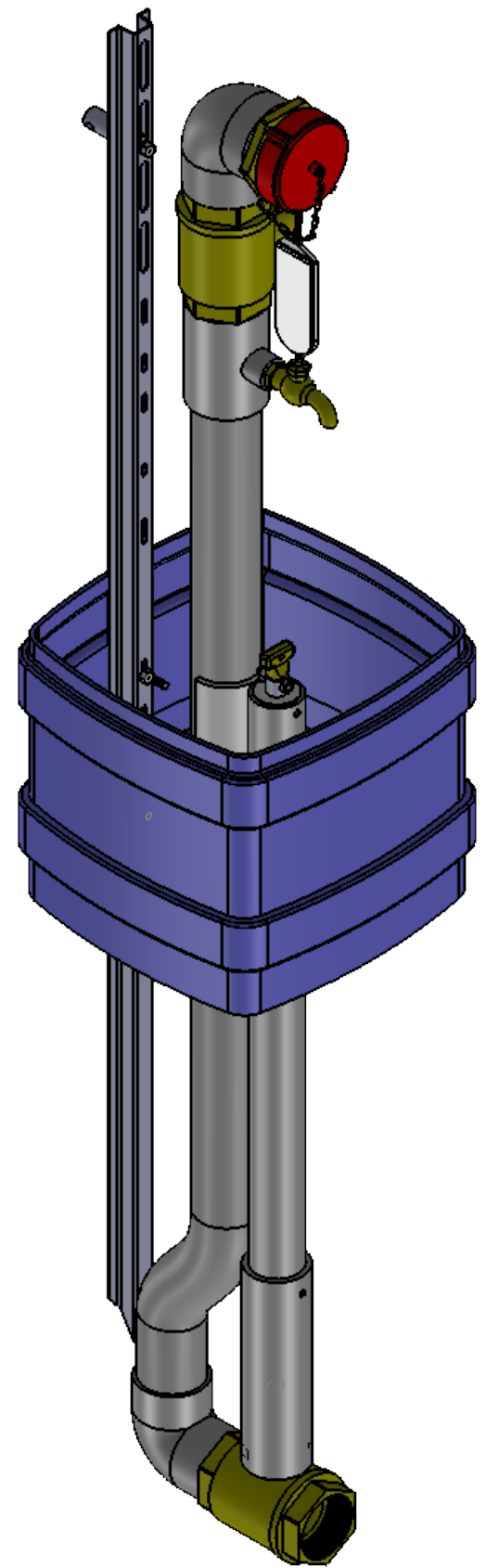


8 7 6 5 4 3 2 1

ITEM #	DESCRIPTION	QTY.
1	MODEL 104 ENCLOSURE	1
2	MODEL 5000 FLUSHING / SAMPLING HYDRANT	1

D
C
B
A



REVISED:	DATE: 11/22/16
DRAWING DATE:	11/22/16
DRAWN BY:	MDP
SHEET:	1 OF 1
NOTE: DO NOT SCALE DRAWING	

PROPRIETARY AND CONFIDENTIAL: THE INFORMATION CONTAINED IN THIS DRAWING IS THE SOLE PROPERTY OF WATER PLUS CORPORATION. ANY REPRODUCTION IN PART OR AS A WHOLE WITHOUT THE WRITTEN PERMISSION OF WATER PLUS CORPORATION IS STRICTLY PROHIBITED.

WATER PLUS
CORPORATION

www.waterpluscorp.com
11245 Lillian Highway, Pensacola, Florida 32506
Phone: 800.842.9979 Fax: 850.455.5200

DESCRIPTION:	MODEL 104 POLYETHYLENE ENCLOSURE COVERING MODEL 5000-NL FLUSHING / SAMPLING HYDRANT
DWG. NO.	104 & 5000-NL

8 7 6 5 4 3 2 1