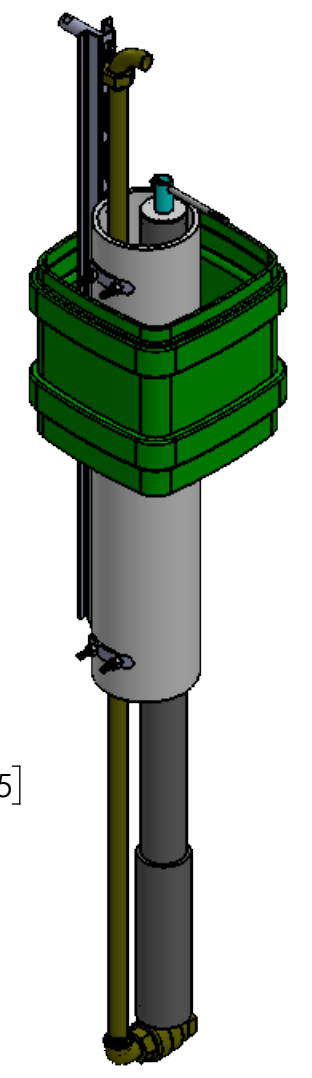
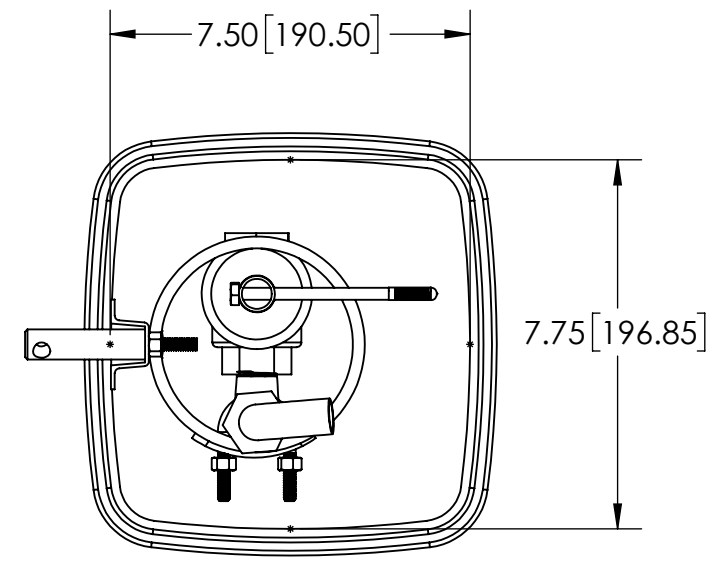


ITEM #	DESCRIPTION	QTY.
1	3/4" REMOVABLE; DIRECTION ADJUSTABLE SPOUT	1
2	LEVER-MAIN VALVE OPERATION	1
3	3/4" BRASS BARREL	1
4	3/4" BALL VALVE	1
5	3/4" FIP INLET	1
6	PVC HOUSING	1
7G	POLYETHYLENE HOUSING WITH HASP LOCK	1



- NOTES:
- STANDARD DEPTH BURY IS 36". HYDRANT AVAILABLE IN 48" & 60" BURIES.
  - STANDARD INLET CONNECTION IS 3/4" FIP. ANY INLET CONNECT AVAILABLE.
  - POLYETHYLENE HOUSING AVAILABLE IN BOTH BLUE AND GREEN.
  - SWIVEL SPIGOT IS REMOVABLE AND MAY BE REPLACED WITH A SUPPLIED PVC CAP TO SEAL UNIT WHEN NOT IN USE.

REVISED:	DATE: 11/22/16
DRAWING DATE:	11/22/16
DRAWN BY:	MDP
SHEET:	1 OF 1
NOTE: DO NOT SCALE DRAWING	
<small>PROPRIETARY AND CONFIDENTIAL: THE INFORMATION CONTAINED IN THIS DRAWING IS THE SOLE PROPERTY OF WATER PLUS CORPORATION. ANY REPRODUCTION IN PART OR AS A WHOLE WITHOUT THE WRITTEN PERMISSION OF WATER PLUS CORPORATION IS STRICTLY PROHIBITED.</small>	

**WATER PLUS**  
CORPORATION

[www.waterpluscorp.com](http://www.waterpluscorp.com)  
 11245 Lillian Highway, Pensacola, Florida 32506  
 Phone: 800.842.9979 Fax: 850.455.5200

DESCRIPTION:	MODEL 501-NL ABOVE GRADE FLUSHING/ SAMPLING STATION
DWG. NO.	501-NL