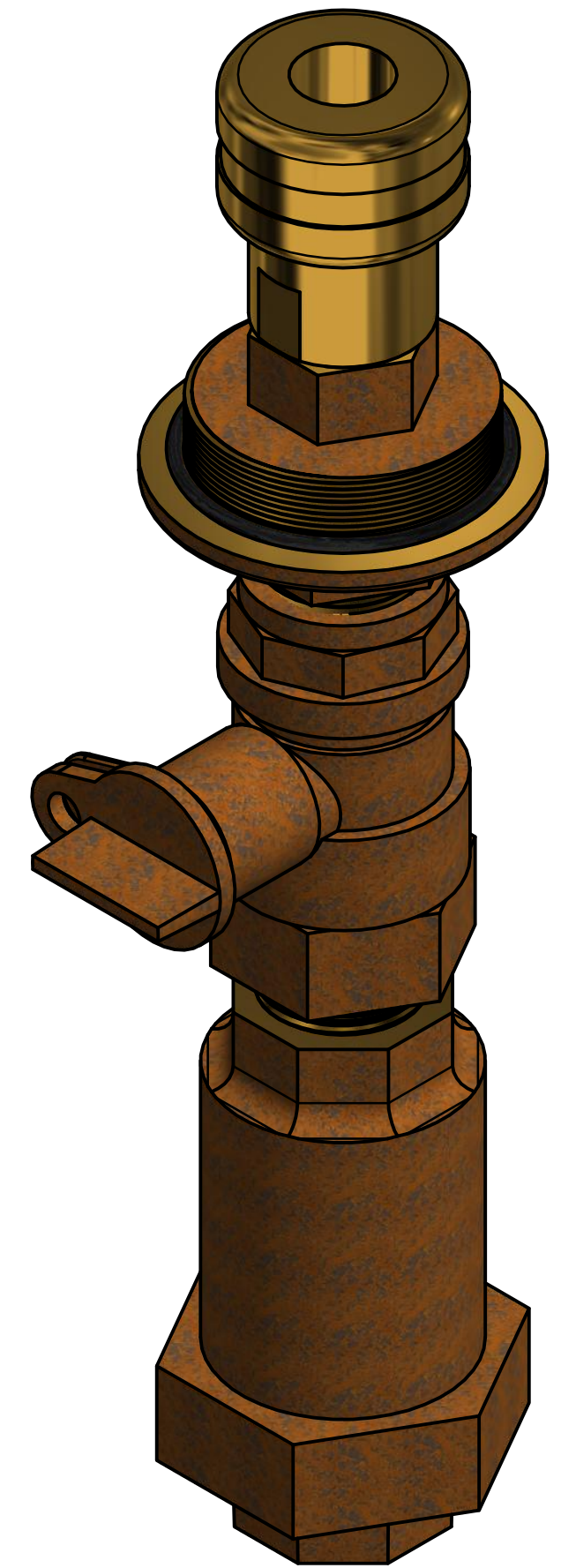
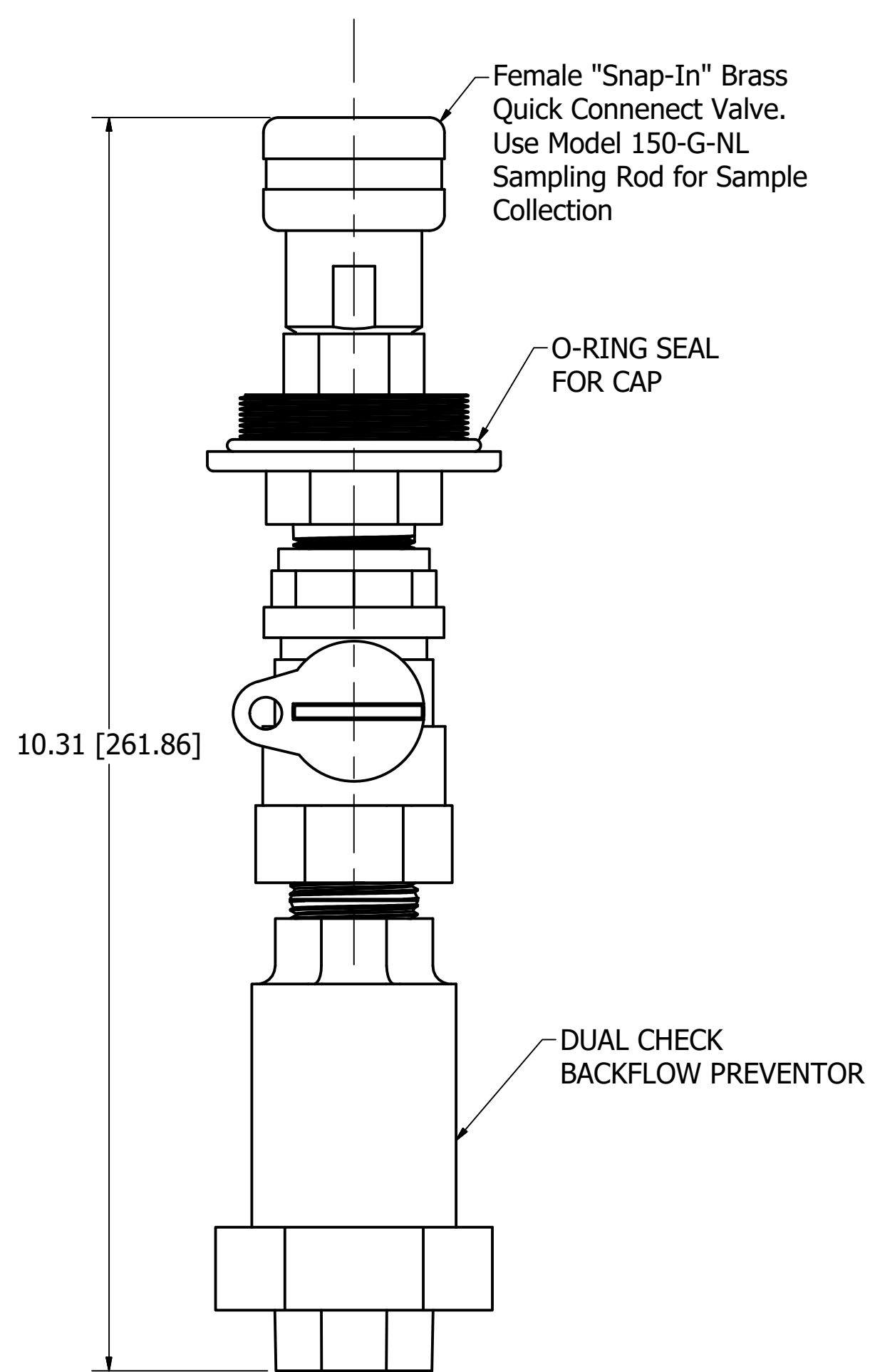
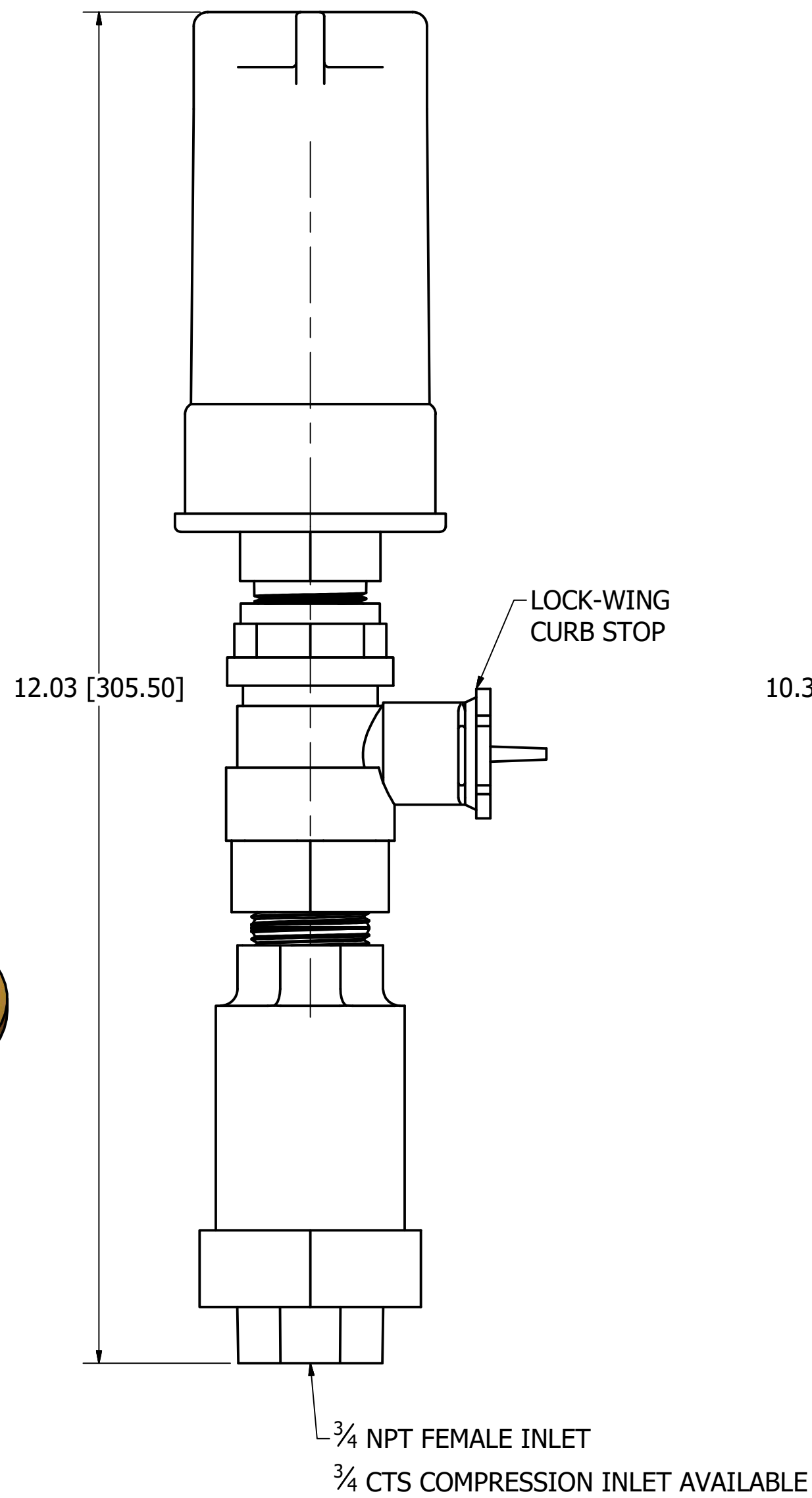
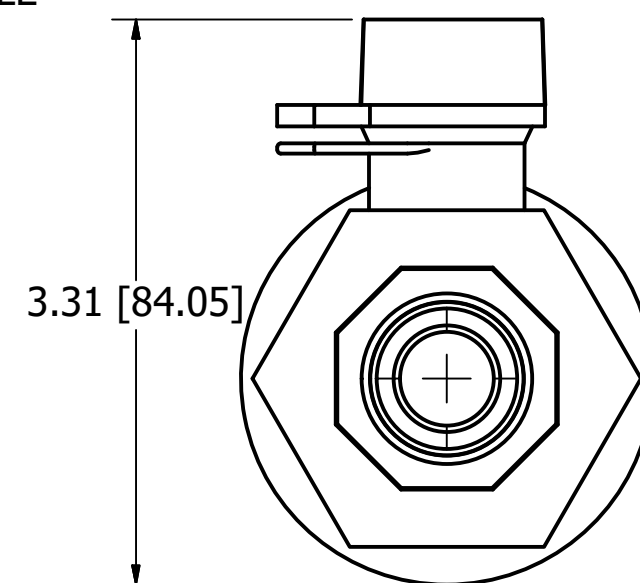


Model View w/ CAP



Model View w/o CAP



WEIGHT: 3LBS 5OZ

REVISED:	DATE: 4/18/2019
DRAWING DATE: 4/18/2019	
DRAWN BY:	
SHEET:	
NOTE: DO NOT SCALE DRAWING	
<small>PROPRIETARY AND CONFIDENTIAL: THE INFORMATION CONTAINED IN THIS DRAWING IS THE SOLE PROPERTY OF WATER PLUS CORPORATION. ANY REPRODUCTION IN PART OR AS A WHOLE WITHOUT THE WRITTEN PERMISSION OF WATER PLUS CORPORATION IS STRICTLY PROHIBITED.</small>	

**WATER PLUS**  
CORPERATION

www.waterpluscorp.com  
11245 Lillian Highway, Pensacola, Florida 32506  
Phone: 850-455-2600 Fax: 850-455-5200

DESCRIPTION:	MODEL 950CS-BF-NL
DWG:	950CS-BF-NL