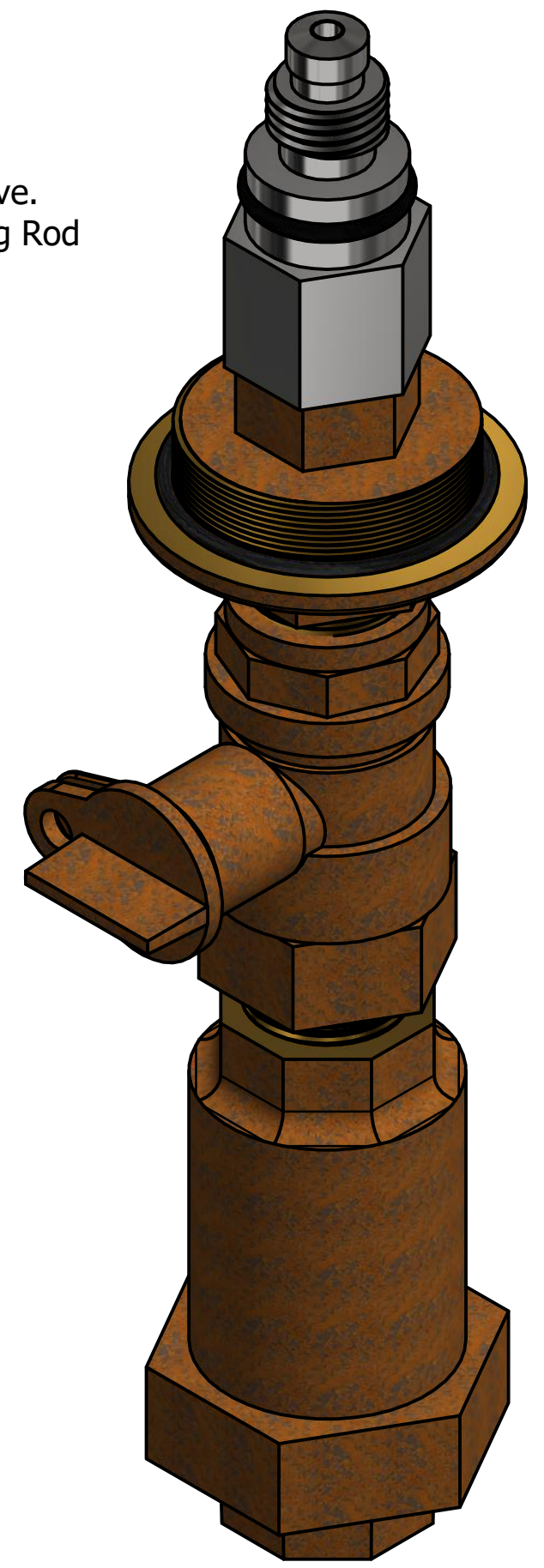
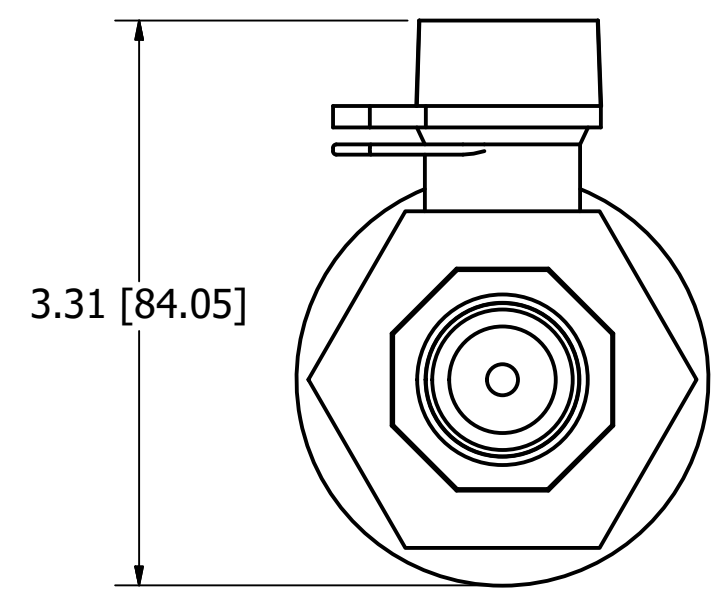
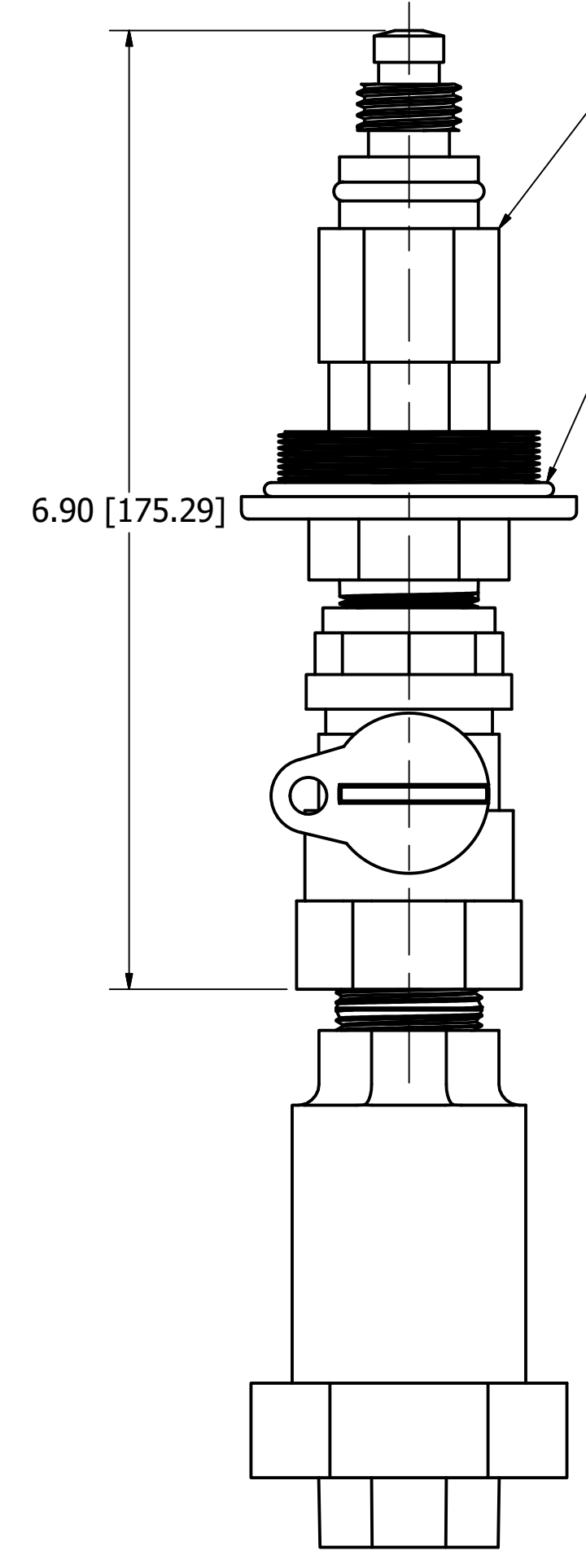
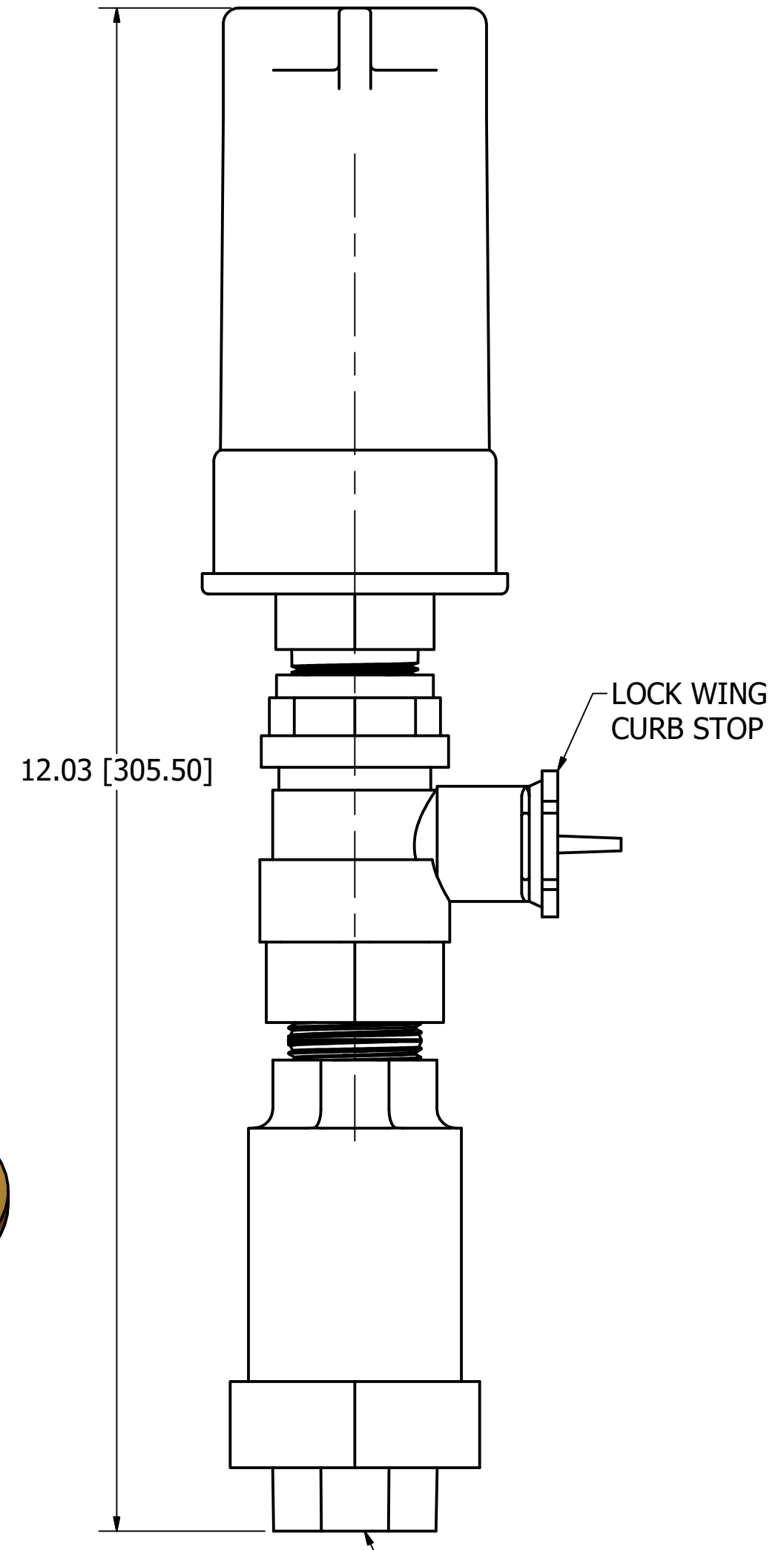


Model View w/ CAP



Model View w/o CAP

WEIGHT: 3LBS 4OZ

| | |
|--|-----------------|
| REVISED: | DATE: 4/18/2019 |
| DRAWING DATE: 4/18/2019 | |
| DRAWN BY: | |
| SHEET: | |
| NOTE: DO NOT SCALE DRAWING | |
| <small>PROPRIETARY AND CONFIDENTIAL: THE INFORMATION CONTAINED IN THIS DRAWING IS THE SOLE PROPERTY OF WATER PLUS CORPORATION. ANY REPRODUCTION IN PART OR AS A WHOLE WITHOUT THE WRITTEN PERMISSION OF WATER PLUS CORPORATION IS STRICTLY PROHIBITED.</small> | |

WATER PLUS
CORPERATION

www.waterpluscorp.com
11245 Lillian Highway, Pensacola, Florida 32506
Phone: 850-455-2600 Fax: 850-455-5200

| | |
|--------------|---------------------|
| DESCRIPTION: | MODEL 950CS-BF-SVLV |
| DWG: | 950CS-BF-SVLV |