

4

3

2

1

D

D

C

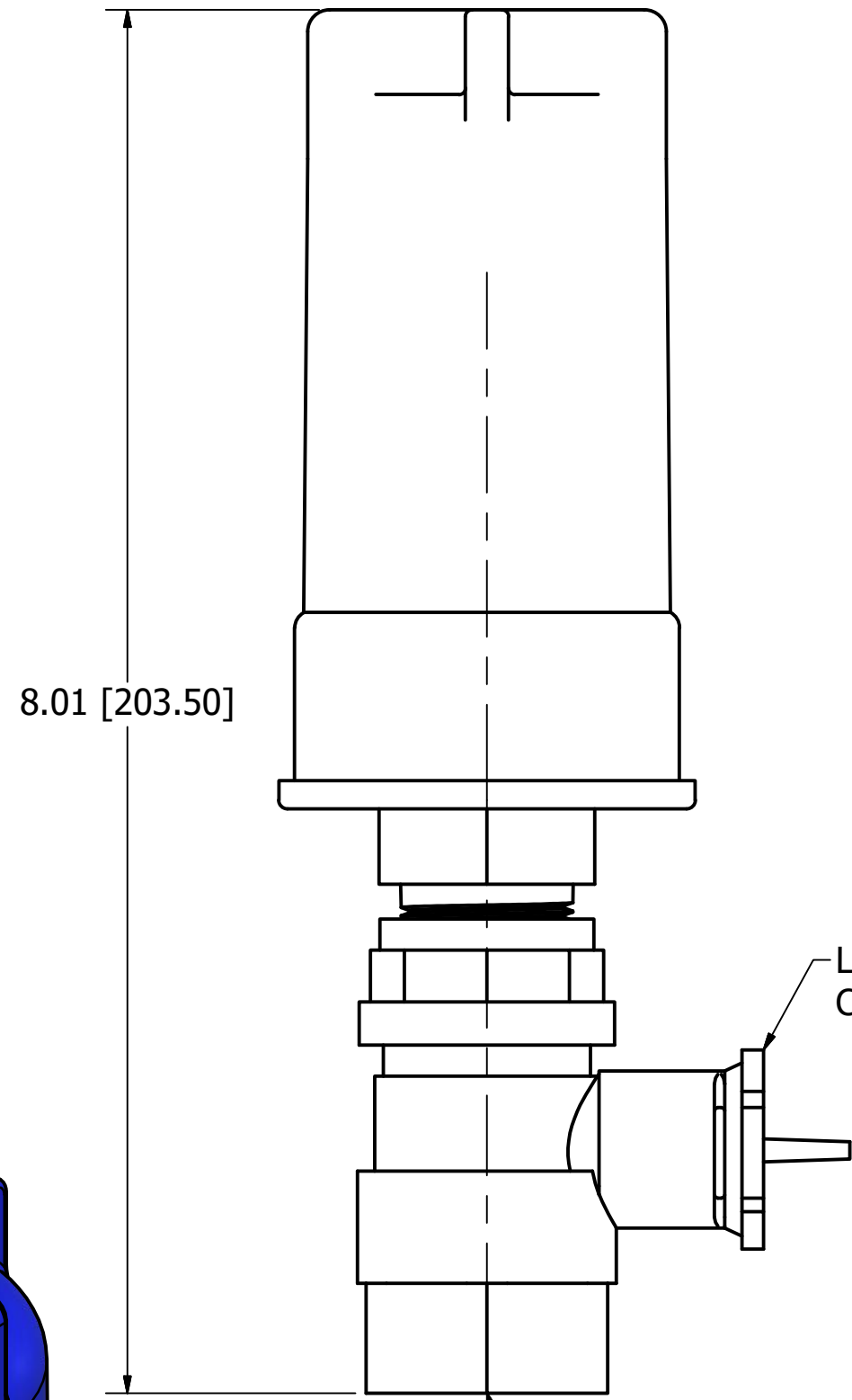
C

B

B

A

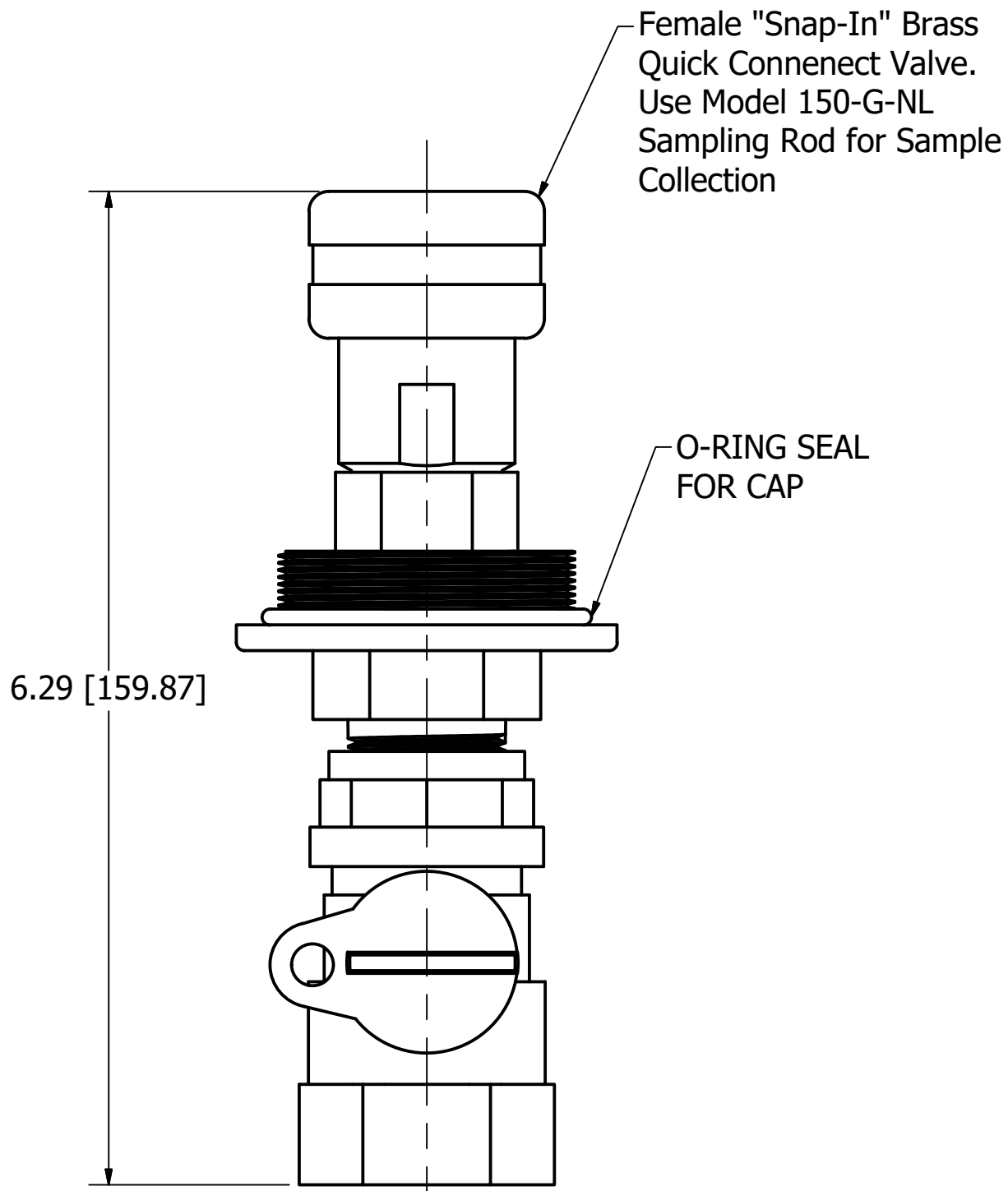
A



8.01 [203.50]

LOCK-WING CURB STOP

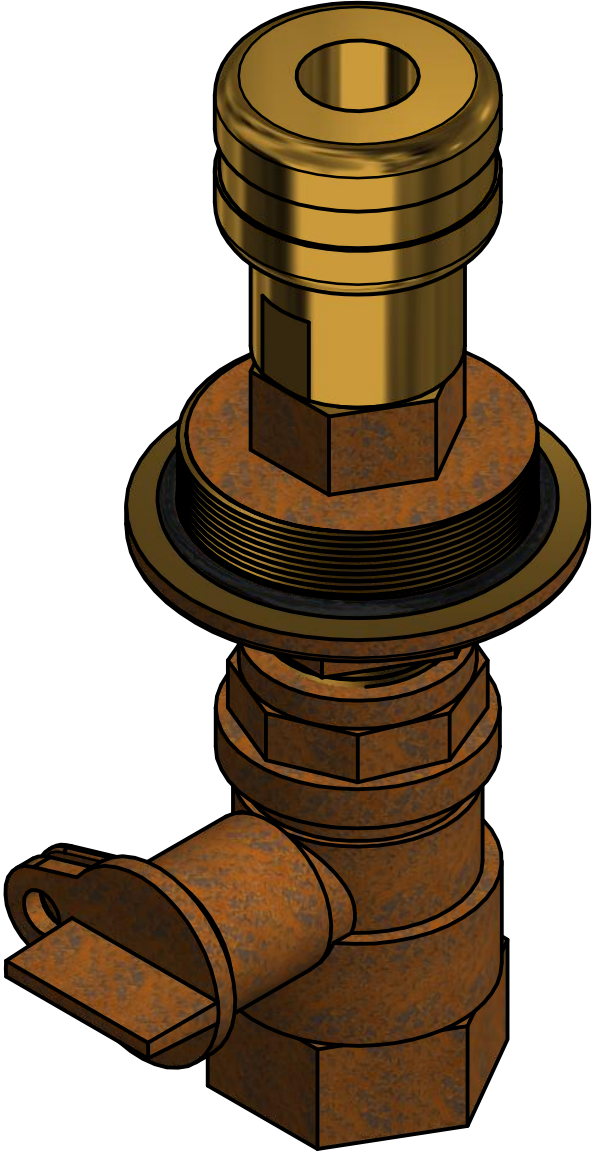
3/4 NPT FEMALE INLET
3/4 CTS COMPRESSION INLET AVAILABLE



6.29 [159.87]

Female "Snap-In" Brass Quick Connect Valve. Use Model 150-G-NL Sampling Rod for Sample Collection

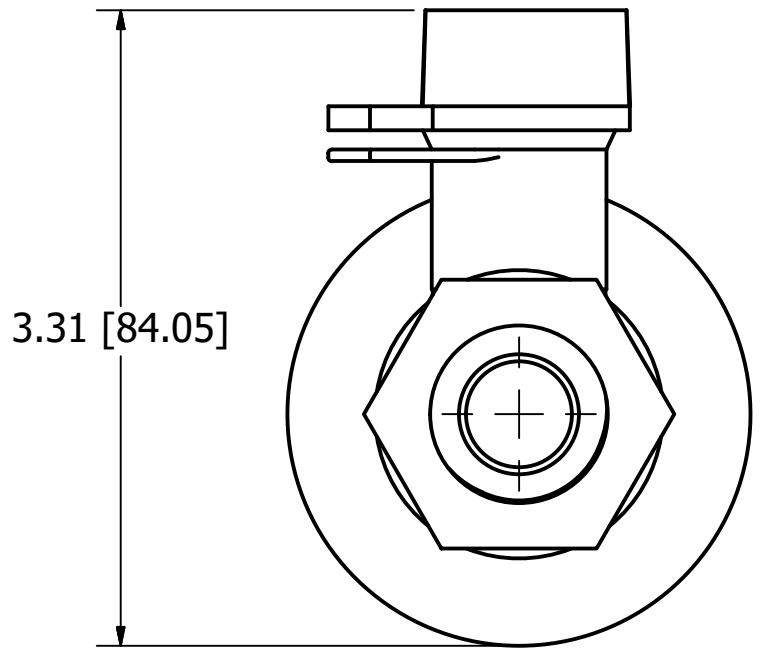
O-RING SEAL FOR CAP



Model View w/o CAP



Model View w/ CAP



3.31 [84.05]

WEIGHT: 2LBS 4OZ

REVISED:	DATE: 4/18/2019
DRAWING DATE: 4/18/2019	
DRAWN BY:	
SHEET:	
NOTE: DO NOT SCALE DRAWING	
<small>PROPRIETARY AND CONFIDENTIAL: THE INFORMATION CONTAINED IN THIS DRAWING IS THE SOLE PROPERTY OF WATER PLUS CORPORATION. ANY REPRODUCTION IN PART OR AS A WHOLE WITHOUT THE WRITTEN PERMISSION OF WATER PLUS CORPORATION IS STRICTLY PROHIBITED.</small>	

WATER PLUS
CORPERATION

www.waterpluscorp.com
11245 Lillian Highway, Pensacola, Florida 32506
Phone: 850-455-2600 Fax: 850-455-5200

DESCRIPTION:	MODEL 950CS-NL
DWG:	950CS-NL

4

3

2

1