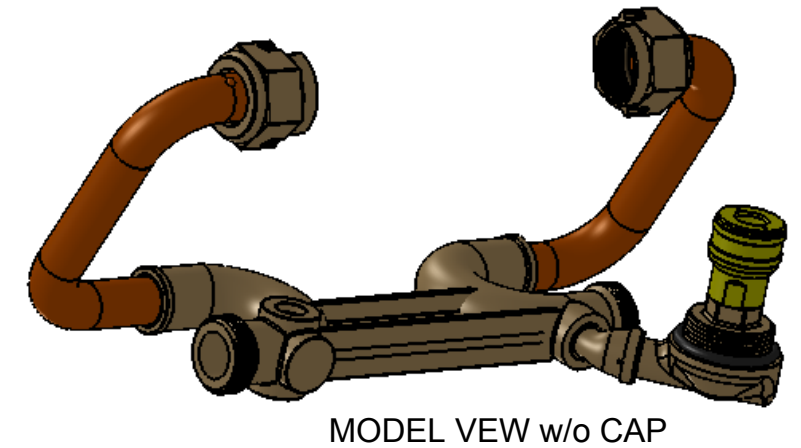
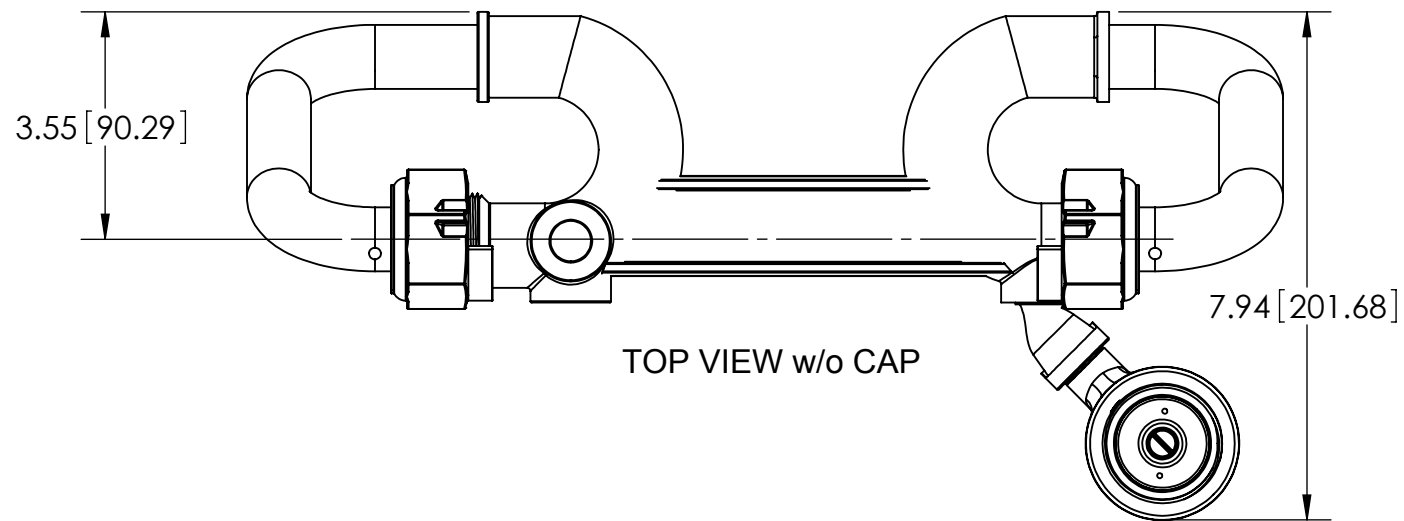
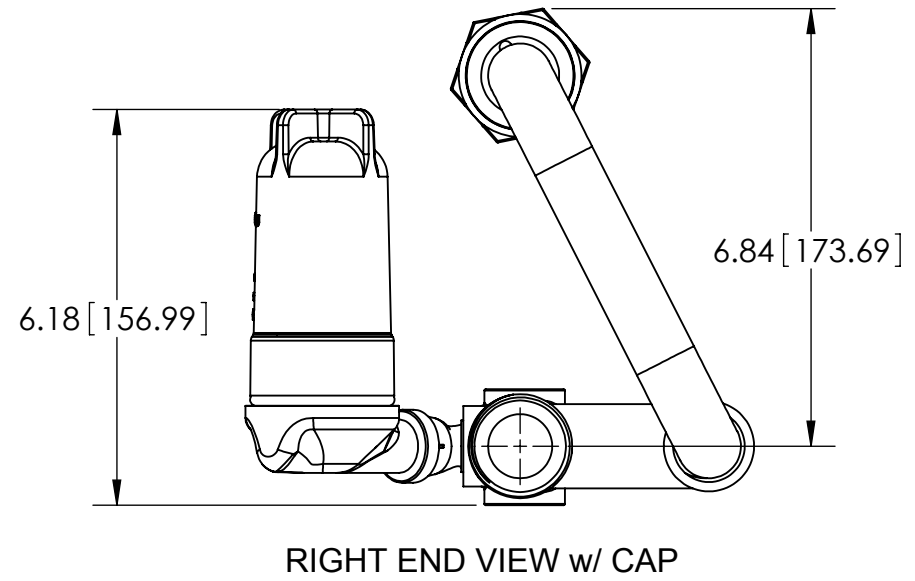
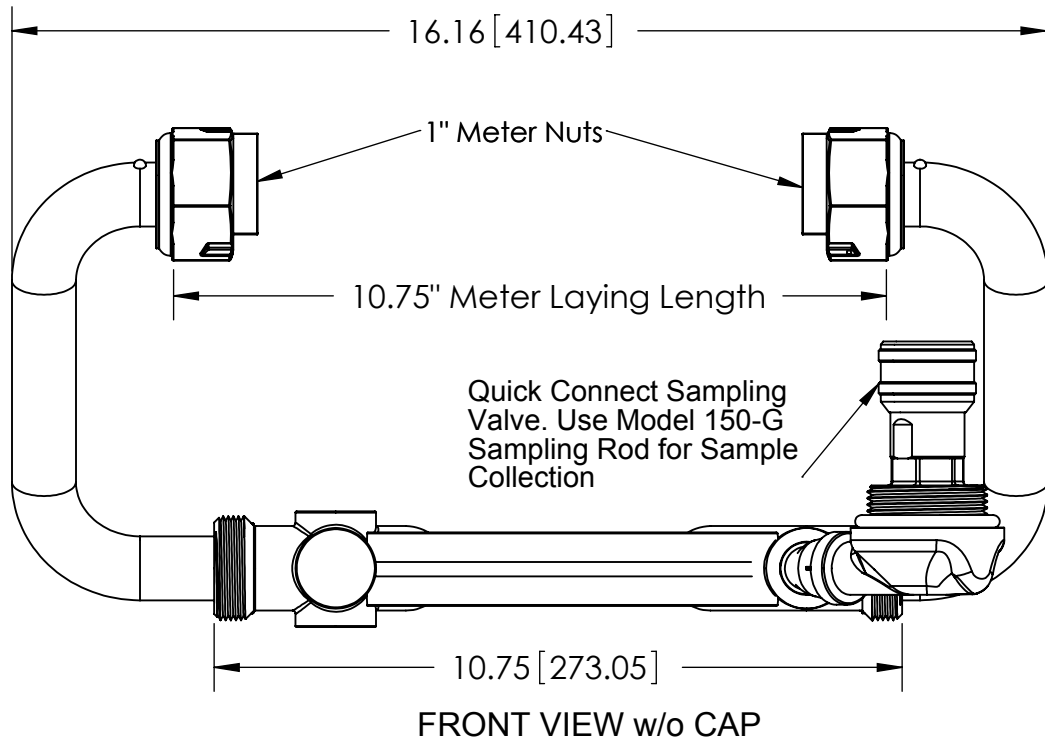
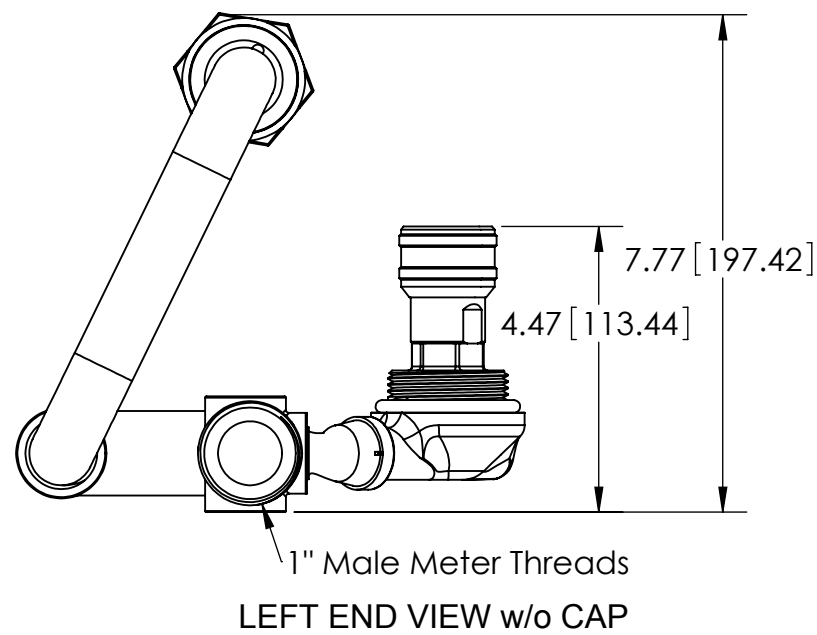


8 7 6 5 4 3 2 1

D



C

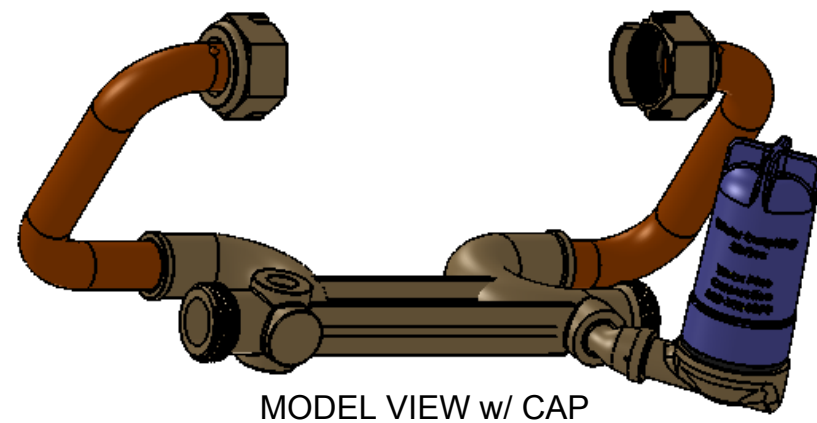


B

B

A

A



UNIT WEIGHT: 8 lbs 4 oz (3802 g)

REVISED:	DATE:
DRAWING DATE:	
DRAWN BY:	
SHEET:] OF]	
NOTE: DO NOT SCALE DRAWING	

PROPRIETARY AND CONFIDENTIAL: THE INFORMATION CONTAINED IN THIS DRAWING IS THE SOLE PROPERTY OF WATER PLUS CORPORATION. ANY REPRODUCTION IN PART OR AS A WHOLE WITHOUT THE WRITTEN PERMISSION OF WATER PLUS CORPORATION IS STRICTLY PROHIBITED.

WATER PLUS CORPORATION

www.waterpluscorp.com
 11245 Lillian Highway, Pensacola, Florida 32506
 Phone: 800.842.9979 Fax: 850.455.5200

DESCRIPTION: **Model 1500-1034B "All-In-One" Sampling Station**

DWG. NO. **1500-1034B**

8 7 6 5 4 3 2 1