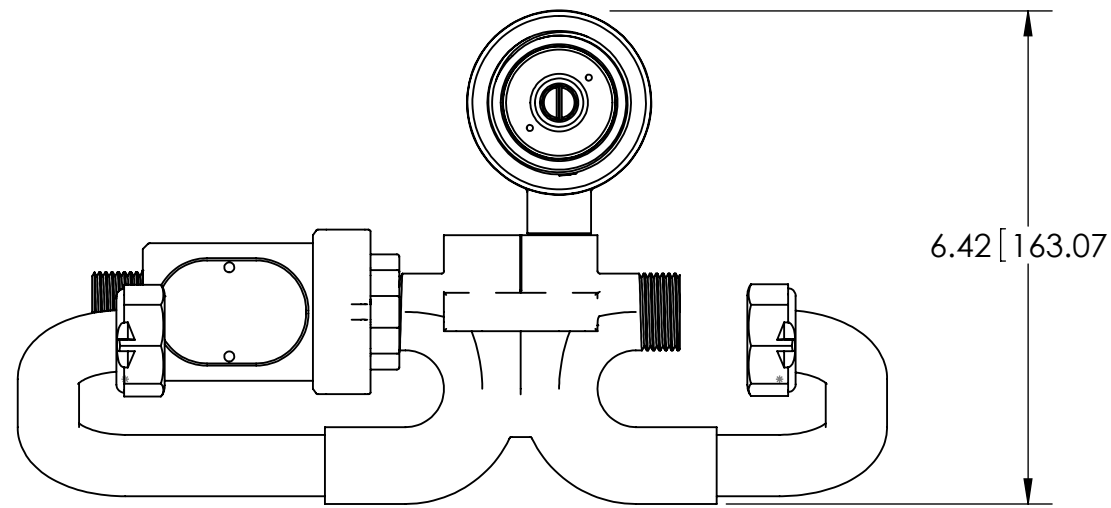
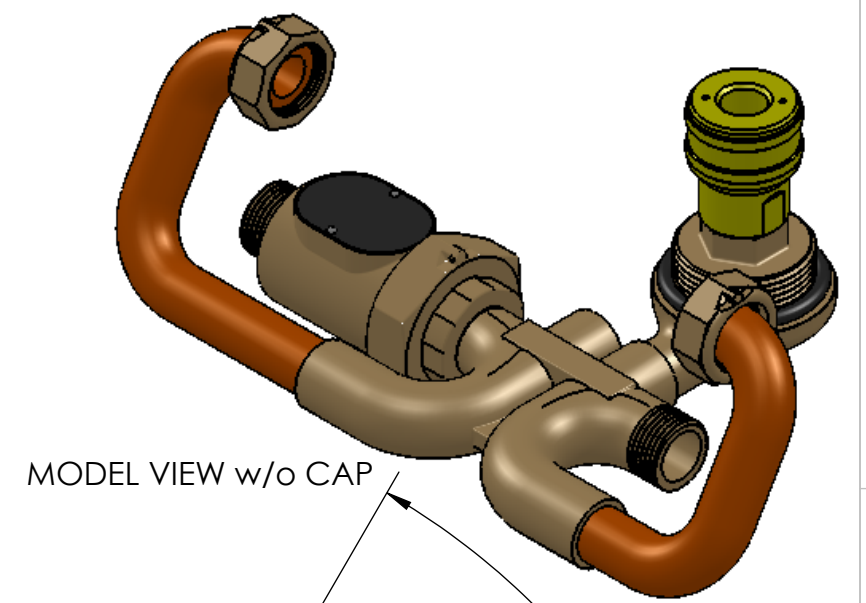


8 7 6 5 4 3 2 1

D

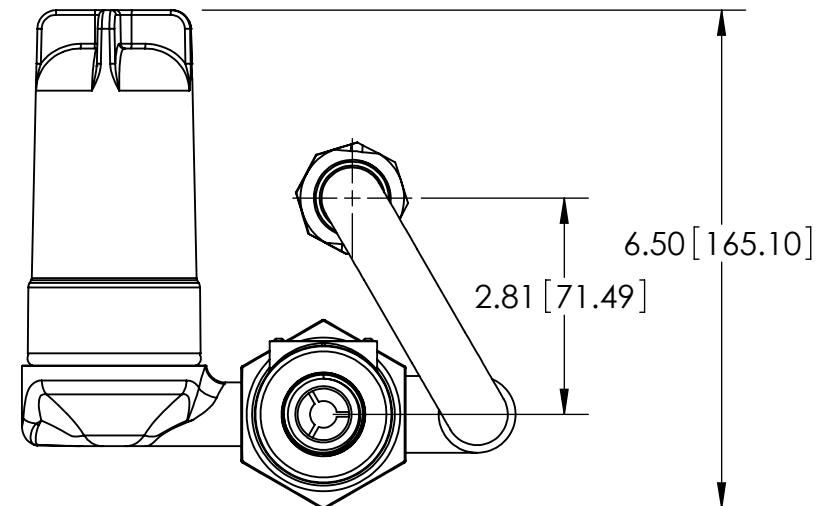


TOP VIEW w/o CAP

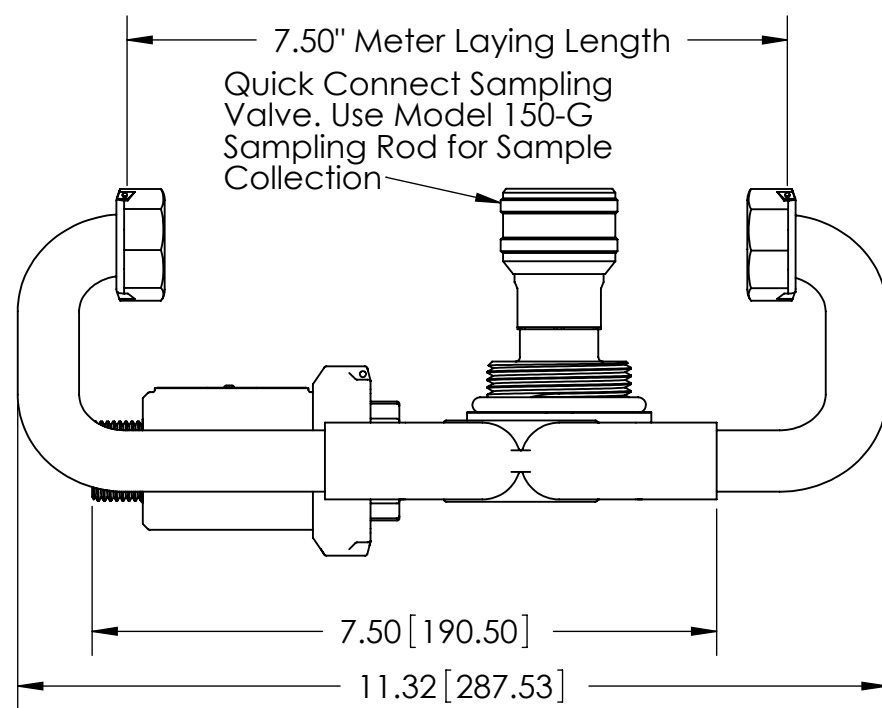


MODEL VIEW w/o CAP

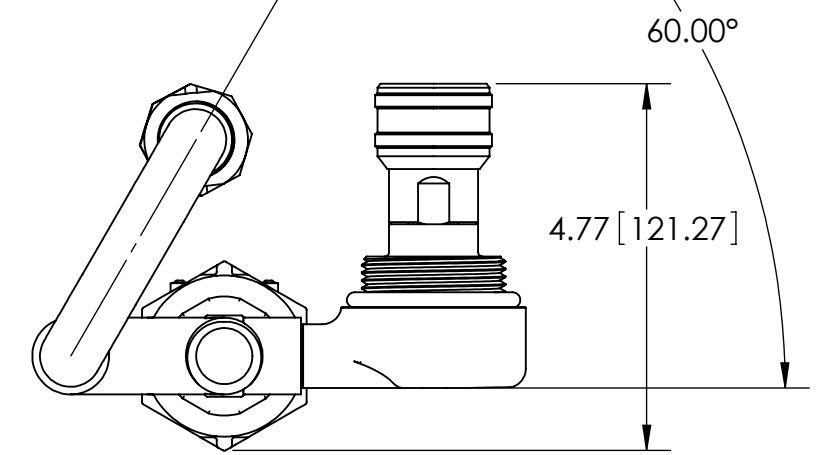
C



LEFT END VIEW w/CAP

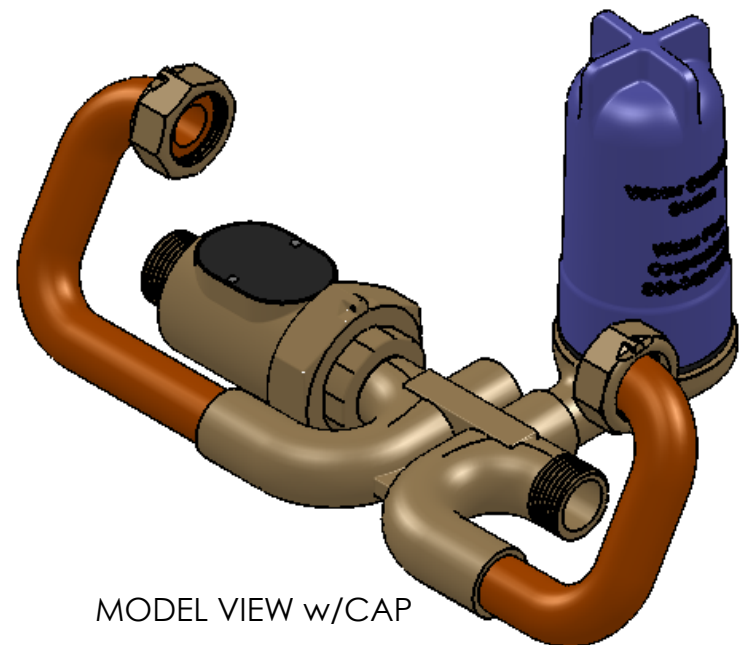


FRONT VIEW w/o CAP



RIGHT END VIEW w/o CAP

B



MODEL VIEW w/CAP

UNIT WEIGHT: 5 lbs 8 oz (2495 g)

REVISED:	DATE:
DRAWING DATE:	
DRAWN BY:	
SHEET:] OF]	
NOTE: DO NOT SCALE DRAWING	

PROPRIETARY AND CONFIDENTIAL: THE INFORMATION CONTAINED IN THIS DRAWING IS THE SOLE PROPERTY OF WATER PLUS CORPORATION. ANY REPRODUCTION IN PART OR AS A WHOLE WITHOUT THE WRITTEN PERMISSION OF WATER PLUS CORPORATION IS STRICTLY PROHIBITED.

WATER PLUS CORPORATION

www.waterpluscorp.com
 11245 Lillian Highway, Pensacola, Florida 32506
 Phone: 800.842.9979 Fax: 850.455.5200

DESCRIPTION: Model 1500-ST58

DWG. NO. 1500-ST58

8 7 6 5 4 3 2 1

A

A