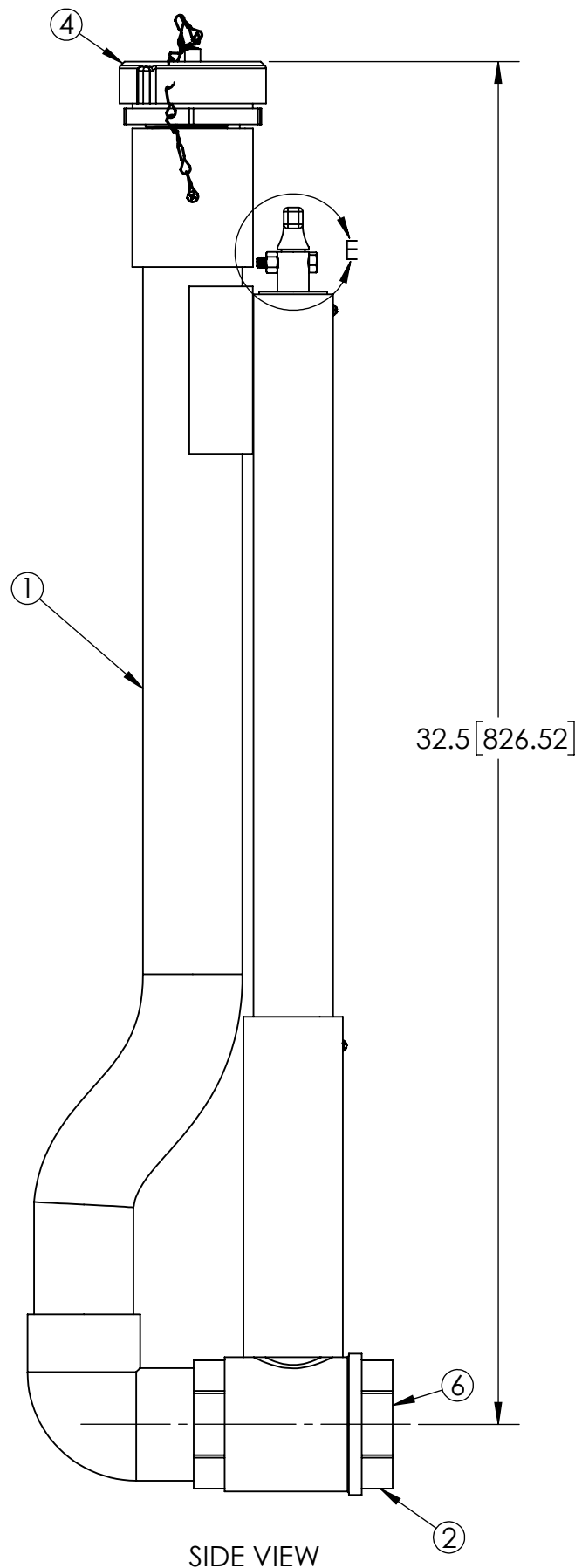
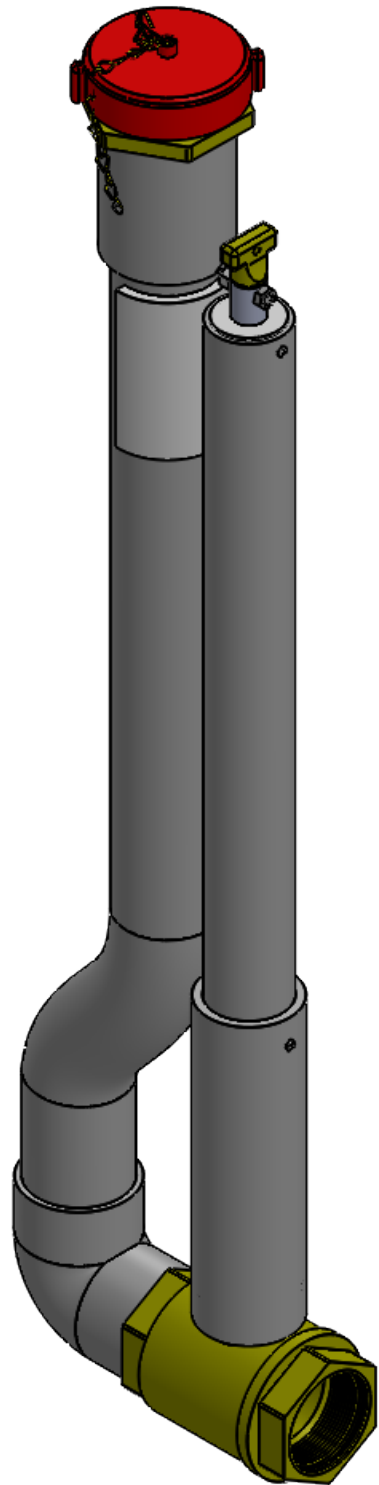
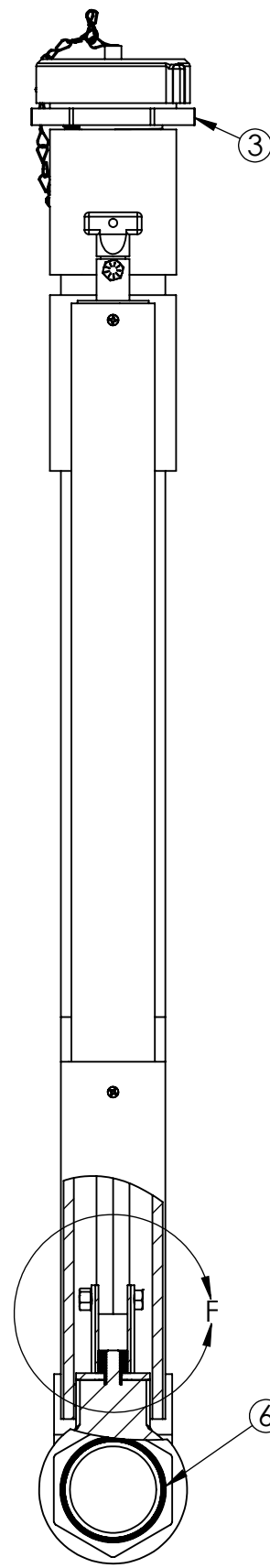


8 7 6 5 4 3 2 1

D
C
B
A

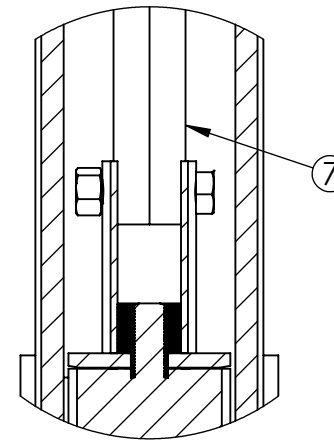


SIDE VIEW

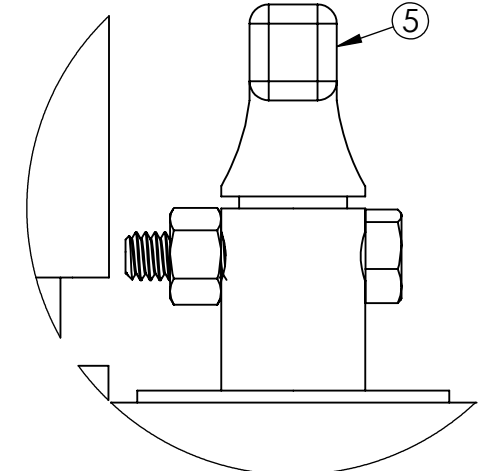


FRONT VIEW

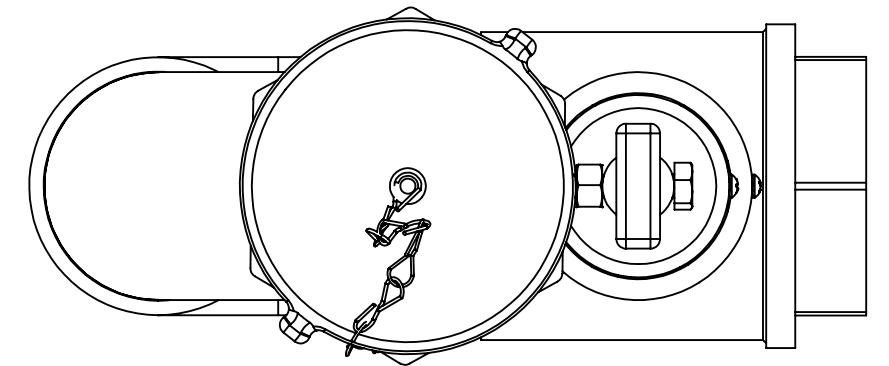
ITEM #	DESCRIPTION	QTY.
1	2" SCHEDULE 80 PVC BARREL	1
2	2" APOLLO BORNZE BALL VALVE	1
3	2-1/2" NST BRONZE HYDRANT ADAPTER	1
4	2-1/2" NST HYDRANT CAP W/9" BRASS RETENTION CHAIN	1
5	BRONZE CURB KEY-ON/OFF OPERATION	1
6	2" MIP INLIET	2
7	STAINLESS STEEL VALVE EXTENSION	1



DETAIL F
VALVE STEM ADAPTER
SCALE 1 : 2



DETAIL E
SCALE 1 : 1



TOP VIEW
SCALE 1 : 2

NOTES:

1. UNIT IS AVAILABLE LEAD FREE. ORDER #VB2000B-NL.
2. UNIT IS 100% NON-CORROSIVE.
3. STANDARD DEPTH BURY SHOWN IS 36". ANY DEPTH BURY AVAILABLE UP TO 60"

REVISED:	DATE: 11/22/16
DRAWING DATE:	11/22/16
DRAWN BY:	MDP
SHEET:	1 OF 1
NOTE: DO NOT SCALE DRAWING	

PROPRIETARY AND CONFIDENTIAL: THE INFORMATION CONTAINED IN THIS DRAWING IS THE SOLE PROPERTY OF WATER PLUS CORPORATION. ANY REPRODUCTION IN PART OR AS A WHOLE WITHOUT THE WRITTEN PERMISSION OF WATER PLUS CORPORATION IS STRICTLY PROHIBITED.

WATER PLUS
CORPORATION

www.waterpluscorp.com
11245 Lillian Highway, Pensacola, Florida 32506
Phone: 800.842.9979 Fax: 850.455.5200

DESCRIPTION: VALVE BOX FLUSHING HYDRANT
MODELS VB2000B & VB2000b-NL

DWG. NO. VB2000B

8 7 6 5 4 3 2 1